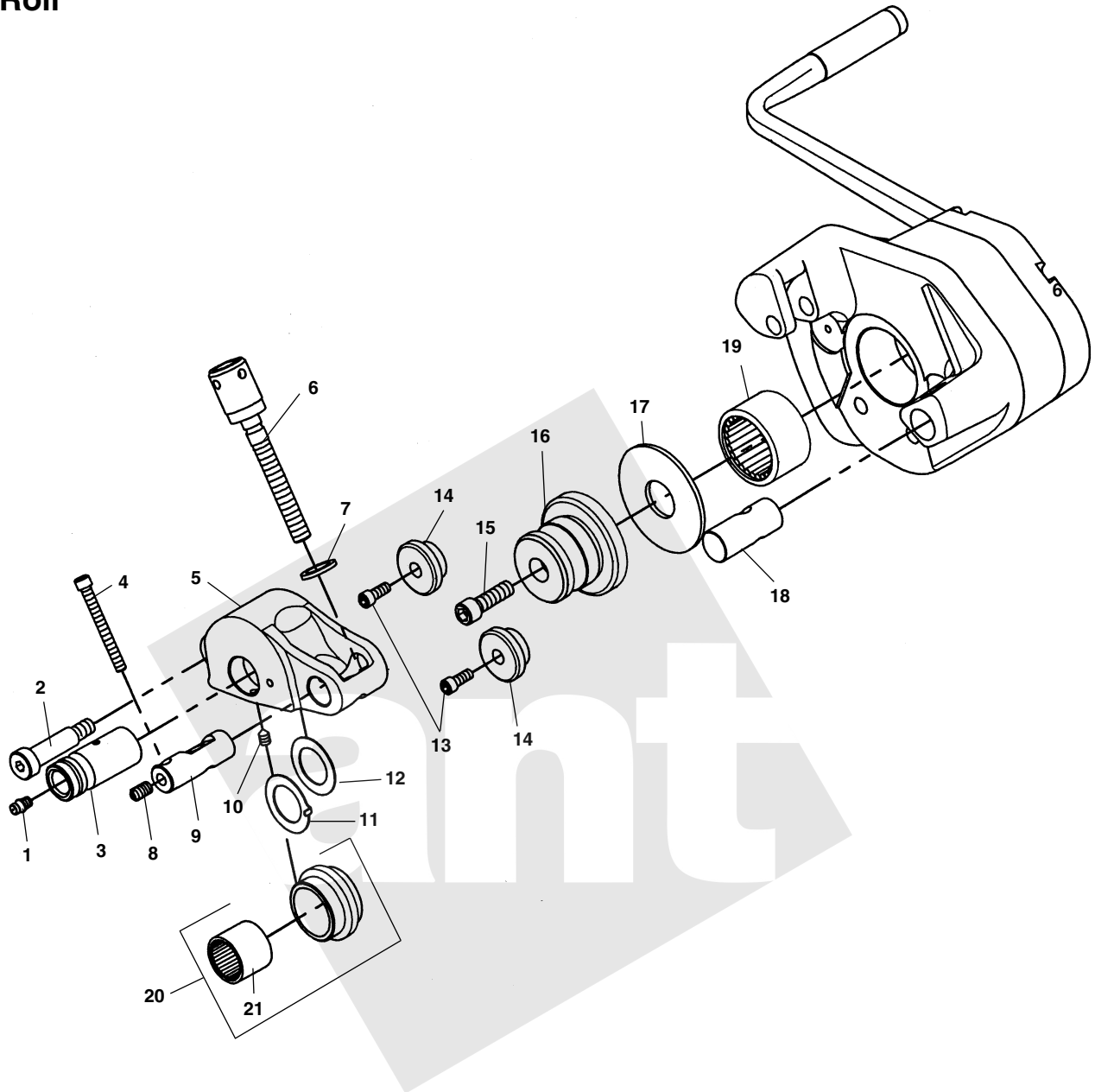


**NOTE: Order parts by Catalog Number only.
DO NOT order by Reference Number.**

| Ref. No. | Catalog No. | Description | Ref. No. | Catalog No. | Description |
|----------|-------------|--|----------|-------------|---|
| — | 59847 | 914 Roll Groover | 18 | 61002 | Groove Roll (Includes Ref. #17) |
| — | 59932 | 914 Roll Groover for Copper | 19 | 61007 | Groove Roll f/Copper (Includes Ref. #17) |
| 1 | 60922 | Gear Housing (Includes Ref. #13, 14, 26, 37) | 20 | 62502 | 1 1/4"-1 1/2" Groove Roll (Includes Ref. #17) |
| | 60932 | Gear Housing f/Copper (Includes Ref. #13, 14, 26, 37) | 21 | 61017 | Shoulder Bolt 5/8" x 3 3/4" |
| 2 | 60937 | Rear Slide Shaft | 22 | 61022 | Adjustment Knob |
| 3 | 60942 | Front Slide Shaft | 23 | 61027 | Feed screw |
| 4 | 60947 | Thrust Washer | 24 | 61032 | Shoulder Bolt 5/8" x 1 1/2" |
| 5 | 60952 | Drive Roll | 25 | 61037 | Pin & Clip |
| | 60957 | Drive Roll f/Copper | 26 | 61042 | Retaining Ring |
| 6 | 62507 | 1 1/4"-1 1/2" Drive Roll | 27 | 62537 | Depth Adjustment Label |
| 7 | 46745 | Soc. Head Cap Screw 3/8" - 16 x 1 1/4" | 28 | 62542 | Depth Adjustment Label for Copper |
| 8 | 60967 | Sleeve Bearing (2) | 29 | 61047 | Reaction Arm |
| 9 | 34332 | Roll Pin 1/8" x 5/8" (2) | 30 | 61052 | Sleeve Bearing (2) |
| 10 | 60972 | Release Shaft | 31 | 61057 | Input Shaft |
| 11 | 60977 | Release Knob | 32 | 41500 | Roll Pin |
| 12 | 60982 | Release Spring | 33 | 61062 | Square Drive Adapter |
| 13 | 60987 | Release Block (Includes Ref. #8) | 34 | 61067 | Drive Ratchet (Includes Ref. #31 & 32) |
| 14 | 83685 | Soc. Head Cap Screw 1/4"-20 x 1" (2) | 35 | 27037 | Shoulder Bolt |
| 15 | 60992 | Stabilizer (2) | 36 | 61747 | Ratchet Handle |
| | 60927 | Stabilizer f/Copper (2) | 37 | 61072 | Cover Plate (Includes Ref. #26) |
| 16 | 60997 | Set Screw 10-24 (2) | 38 | 39542 | Button Head Screw 10-24 x 1/2" |
| 17 | 61012 | Needle Bearing | 39 | 44620 | Ball Bearing |
| | | | | 61082 | Output Shaft Assembly (Includes Ref. #35) |
| | | | | 87710 | Roller Bearing |

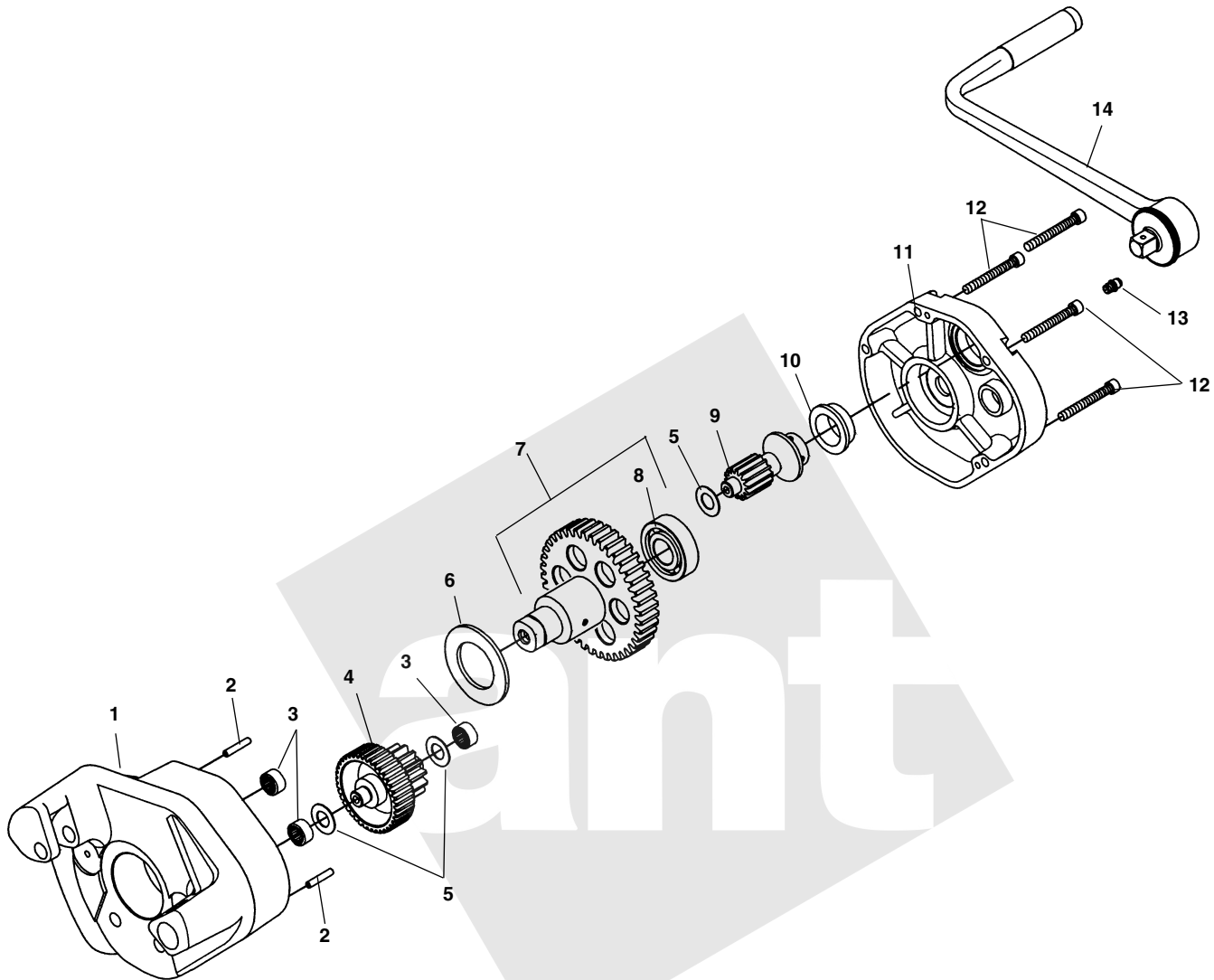
Drive Roll



**NOTE: Order parts by Catalog Number only.
DO NOT order by Reference Number.**

| Ref. No. | Catalog No. | Description | Ref. No. | Catalog No. | Description |
|----------|-------------|--|----------|-------------|--|
| — | 88232 | 915 Roll Groover | 12 | 93652 | Thrust Washer |
| 1 | 46860 | Grease Fitting (2) | 13 | 32205 | Screw, 1/4" - 20 x 5/8" |
| 2 | 93602 | Shoulder Screw | 14 | 93752 | Stabilizer, 2" - 6" (2) |
| 3 | 93607 | Groove Roll Pin | | 93867 | Stabilizer, 8" - 12" (2) |
| 4 | 93622 | Screw, Socket Head, 1/4" - 20 x 2 1/4" (1) | 15 | 46745 | Hex Soc Cap Screw 3/8" - 16 x 1 1/4" (1) |
| 5 | 93627 | Reaction Arm | 16 | 93757 | Drive Roll 2" - 6" Sch. 10, 2" - 3 1/2" Sch. 40 |
| 6 | 93632 | Feed Screw | 17 | 93762 | Drive Roll Thrust Washer |
| 7 | 93657 | Load Thrust Washer | 18 | 93767 | Pivot Nut Pin |
| 8 | 93612 | Ball Detent, 5/16" - 18 (1) | 19 | 87610 | Bearing, Roller |
| 9 | 93617 | Pivot Pin | 20 | 93642 | Groove Roll 2" - 6" Sch. 10, 2" - 3 1/2" Sch. 40 |
| 10 | 45187 | Set Screw, Socket Head | 21 | 45172 | Bearing |
| 11 | 93647 | Locking Thrust Washer | | | |

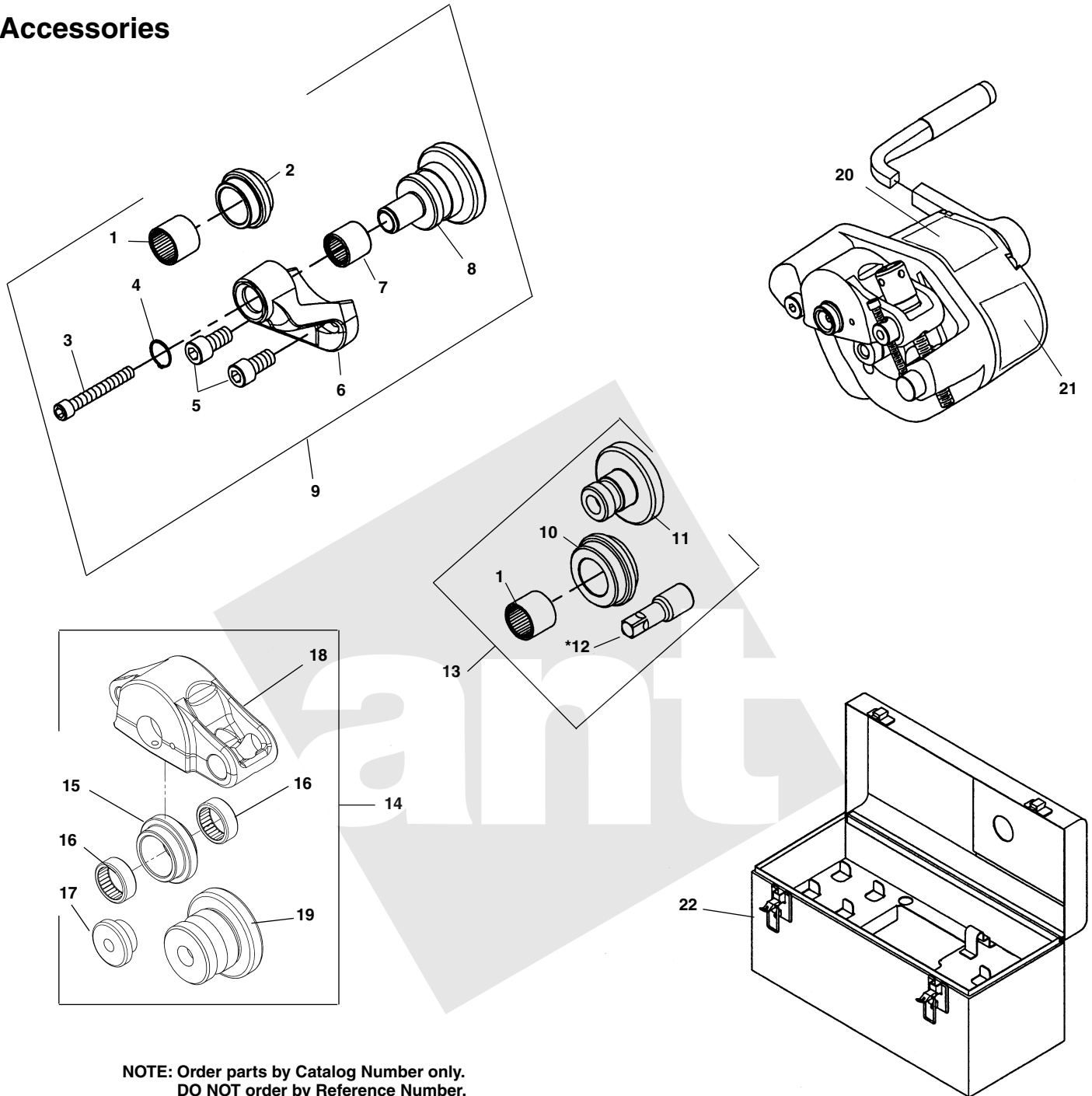
Main Housing



**NOTE: Order parts by Catalog Number only.
DO NOT order by Reference Number.**

| Ref. No. | Catalog No. | Description | Ref. No. | Catalog No. | Description |
|----------|-------------|---------------------------|----------|-------------|-------------------------------|
| 1 | 93772 | Main Housing | 8 | 44620 | Bearing, Ball |
| 2 | 77097 | Pin (4) | 9 | 93807 | Input Drive Pinion |
| 3 | 93777 | Needle Roller Bearing (3) | 10 | 93812 | Bronze Flange Bearing |
| 4 | 93787 | Intermediate Gear Cluster | 11 | 93817 | Rear Cover |
| 5 | 93782 | Thrust Bearing Washer (3) | 12 | 40657 | Screw, 1/4" - 20 x 1 1/2" (4) |
| 6 | 93792 | Bronze Thrust Bearing | 13 | 46860 | Drive Grease Fitting (2) |
| 7 | 16408 | Drive Shaft Assembly | 14 | 92202 | Ratchet, 1/2" Drive 90° |

Accessories

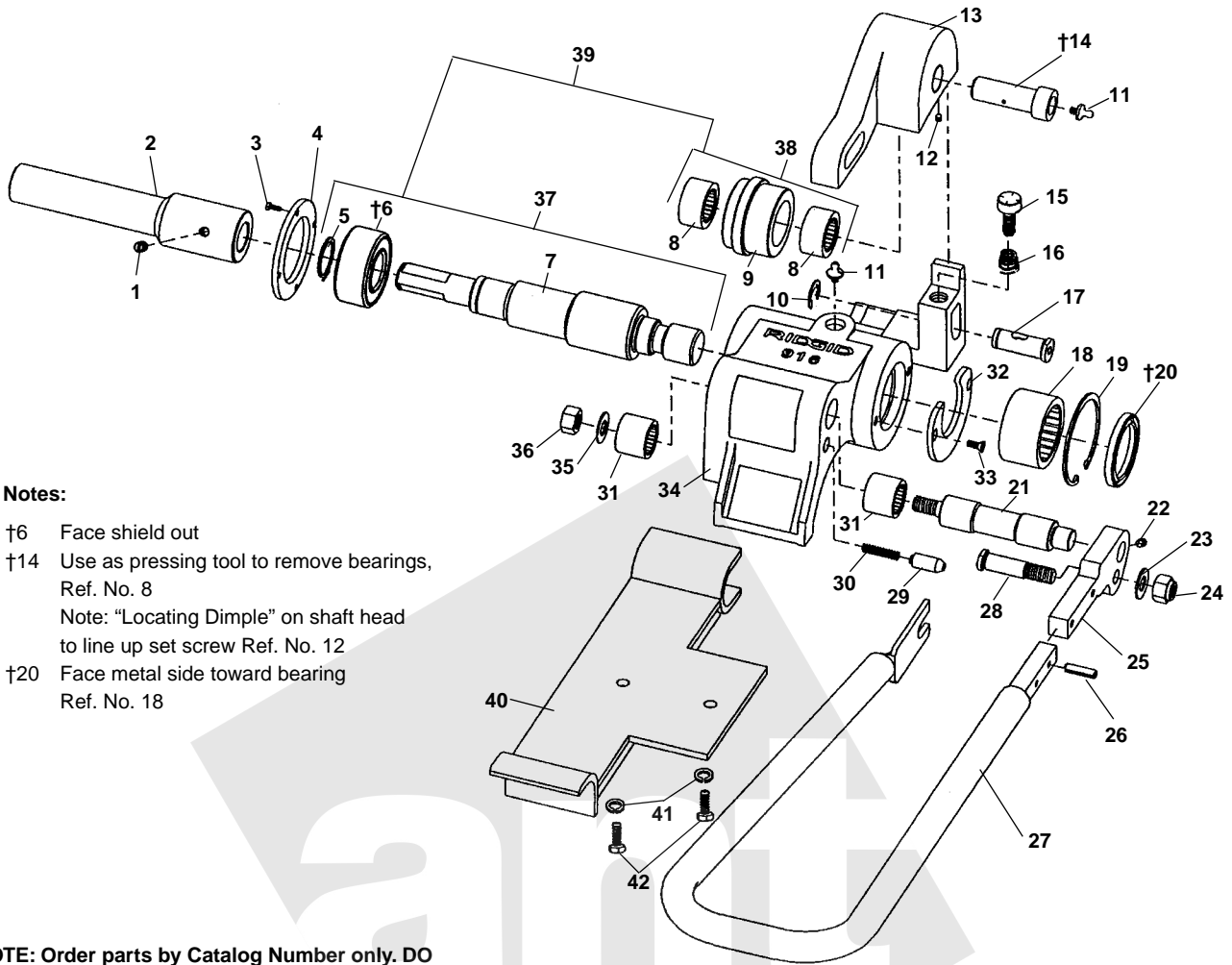


**NOTE: Order parts by Catalog Number only.
DO NOT order by Reference Number.**

| Ref. No. | Catalog No. | Description | Ref. No. | Catalog No. | Description |
|----------|-------------|--|------------------------|-------------|------------------------------------|
| 1 | 45172 | Bearing | 13 | 92437 | 1 1/4" - 1 1/2" Groove Roll Set |
| 2 | 93887 | Groove Roll 4" - 6" Sch. 40 | 14 | 92452 | 2" - 8" Copper 915 Groove Roll Set |
| | 93862 | Groove Roll 8" - 12" Sch. 10 | 15 | 93892 | Copper Groove Roll 2" - 8" |
| 3 | 93847 | Screw 3/8" - 16 x 2 3/4" | 16 | 10368 | Bearing Needle Roller (2) |
| 4 | 93852 | External Retaining Ring | 17 | 10373 | Copper Stabilizer |
| 5 | 93857 | Screw, 1/2" - 12 x 1" (2) | 18 | 10378 | Copper Reaction Arm |
| 6 | 93872 | Support, Drive Roll | 19 | 93897 | Copper Drive Roll 2" - 8" |
| 7 | 93877 | Bearing, Needle Roller | 20 | 93822 | Operating Instructions Decal |
| 8 | 93902 | Drive Roll 4" - 6" Sch. 40 | 21 | 93827 | Warning Decal |
| | 93882 | Drive Roll 8" - 12" Sch. 10 | 22 | 93497 | 915 Tool Box |
| 9 | 92447 | 4" - 6" Sch. 40 Groove Roll Set | | | |
| | 92442 | 8" - 12" Sch. 10 Groove Roll Set | | | |
| 10 | 93837 | Groove Roll 1 1/4" - 1 1/2" | | | |
| 11 | 93832 | Drive Roll 1 1/4" - 1 1/2" | | | |
| 12 | 93842 | Extension, 1/2" Drive (for 1 1/4" - 1 1/2" Roll Set) | | | |
| | | | * Note Items Not Shown | | |
| | | | * | 49087 | 1/8" T-Hndle Hex Key |
| | | | * | 46045 | 5/16" Hex Key |
| | | | * | 46030 | 3/16" Hex Key |
| | | | * | 46190 | 1/4" Hex Key |

Notes



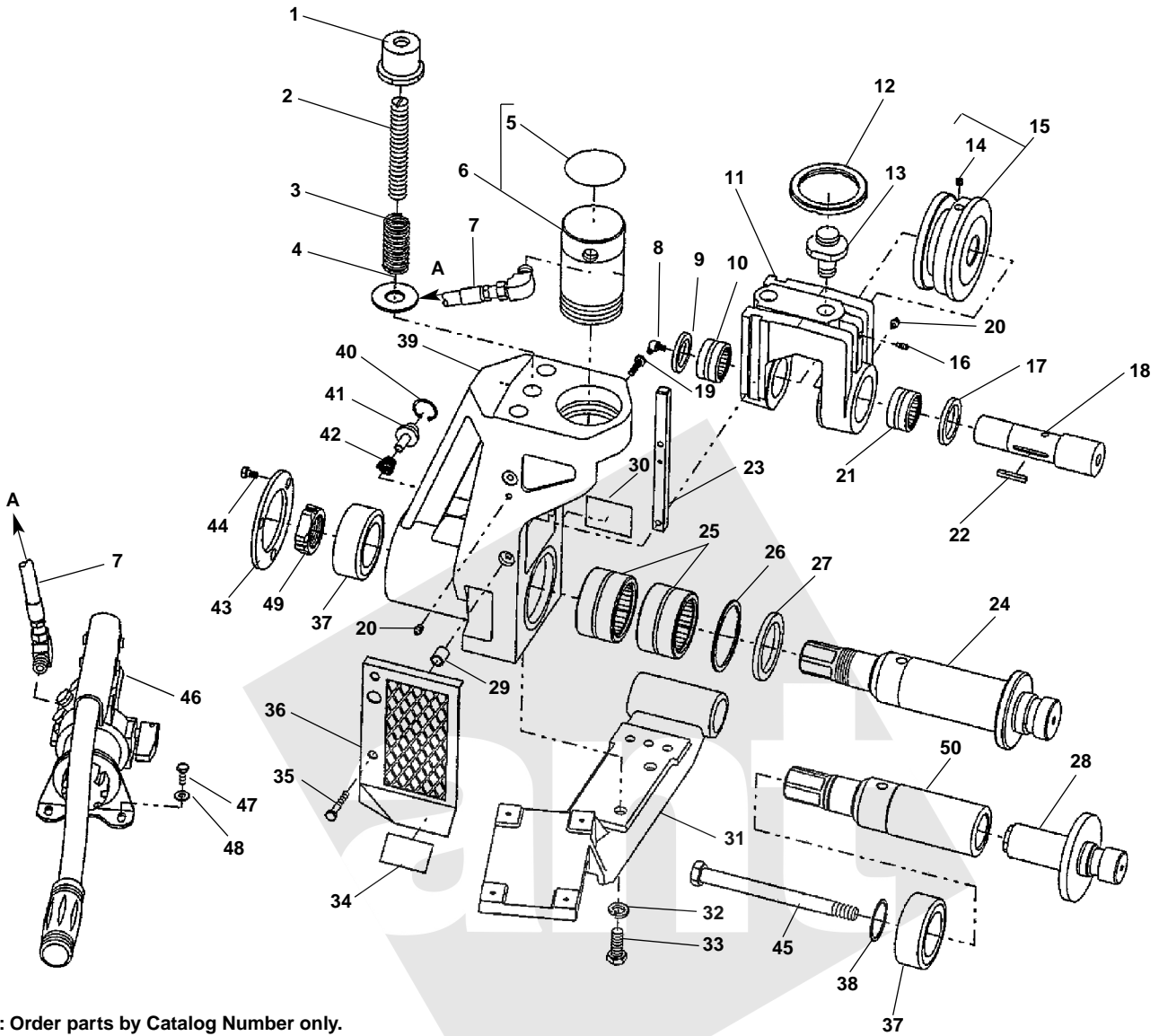


Service Notes:

- Ref. No. †6 Face shield out
- Ref. No. †14 Use as pressing tool to remove bearings,
Ref. No. 8
Note: "Locating Dimple" on shaft head
to line up set screw Ref. No. 12
- Ref. No. †20 Face metal side toward bearing
Ref. No. 18

NOTE: Order parts by Catalog Number only. DO NOT order by Reference Number.

| Ref. No. | Catalog No. | Description | Ref. No. | Catalog No. | Description |
|----------|-------------|--|----------|-------------|--|
| 1 | 48497 | Screw 3/16" - 16 x 1/2" (2) | 25 | 47037 | Drive Link |
| 2 | 48442 | Coupling - Short | 26 | 87940 | Roll Pin (2) |
| | 66547 | Coupling - Long | 27 | 45137 | Handle |
| 3 | 45207 | Hex Hd Screw 10 - 32 x 1/2" (4) | 28 | 45182 | Drive Pin |
| 4 | 45202 | Retaining Plate | 29 | 47027 | Detente Pin |
| 5 | 45152 | Retaining Ring | 30 | 47032 | Detente Spring |
| †6 | 45147 | Double Roll Ball Bearing | 31 | 45172 | Drive Link Bearing (2) |
| 7 | 45122 | Drive Shaft | 32 | 70682 | Positioning Plate (Europe Only) |
| | 45652 | Drive Shaft f/Copper Tubing | 33 | 27242 | Screw 10 - 32 x 1/2" (2) (Europe Only) |
| | 45662 | Drive Shaft f/1" Pipe | 34 | 48437 | Lower Roll Housing f/1822 Includes Ref. No. 11 |
| | 69647 | Drive Shaft 1 1/4 to 1 1/2 (AWWA) | | 48507 | Lower Roll Housing f/300 Includes Ref. No. 11 |
| | 69672 | Drive Shaft 2 to 6 (AWWA) | | 70687 | Lower Roll Housing f/positioning plate (Europe Only) |
| 8 | 45167 | Hd Caged Roller Bearing (2) | 35 | 83420 | Flat Washer |
| 9 | 45127 | Grooving Roll | 36 | 78005 | Hex Stop Nut 1/2" - 13 (2) |
| | 45657 | Grooving Roll f/Copper Tubing | 37 | 45397 | Drive Shaft Assembly |
| | 45667 | Grooving Roll f/1" Pipe | | 45557 | Drive Shaft Assembly f/Copper Tubing |
| | 69652 | Grooving Roll 1 1/4 to 1 1/2 (AWWA) | | 45572 | Drive Shaft Assembly f/1" Pipe |
| | 69677 | Grooving Roll 2 to 6 (AWWA) | | 69657 | Drive Shaft Assembly 1 1/4 to 1 1/2 (AWWA) |
| 10 | 42580 | Retaining Ring | | 69682 | Drive Shaft Assembly 2 to 6 (AWWA) |
| | 46860 | Grease Fitting | 38 | 45587 | Grooving Roll Assembly w/Bearing |
| 11 | 45187 | Cone Pt. Screw 10 - 32 x 1/4" | | 45562 | Grooving Roll Assembly w/Bearing f/Copper Tubing |
| 12 | 45112 | Upper Roll Housing | | 45577 | Grooving Roll Assembly w/Bearing f/1" Pipe |
| 13 | 45132 | Groove Roll Shaft includes Ref. No. 11 | | 69662 | Grooving Roll Assembly 1 1/4 to 1 1/2 (AWWA) |
| 15 | 48447 | Adjusting Screw | | 69687 | Grooving Roll Assembly 2 to 6 (AWWA) |
| 16 | 45402 | Adjusting Screw Spring | 39 | 45352 | Roll Set f/Copper Tubing incl. Ref. No. 35 & 36 |
| 17 | 48452 | Pivot Pin | | 45347 | Roll Set f/1" incl. Ref. No. 35 & 36 |
| 18 | 45142 | Caged Roller Bearing | | 69667 | Roll Set 1 1/4 to 1 1/2 (AWWA) |
| 19 | 45162 | Retaining Ring | | 69692 | Roll Set 2 to 6 (AWWA) |
| †20 | 45157 | Front Seal | | 47492 | Warning & Depth Adjusting Label |
| 21 | 45117 | Drive Link Shaft | 40 | 61242 | Base - 535 |
| 22 | 45192 | Cone Pt. Screw 1/4" - 20 x 1/2" | 41 | 40930 | 3/8" Locker Washer |
| 23 | 77720 | Washer | 42 | 46675 | 3/8" x 3/4" Bolt |
| 24 | 78005 | Hex Stop Nut 1/2" - 13 (2) | | | |



NOTE: Order parts by Catalog Number only. DO NOT order by Reference Number.

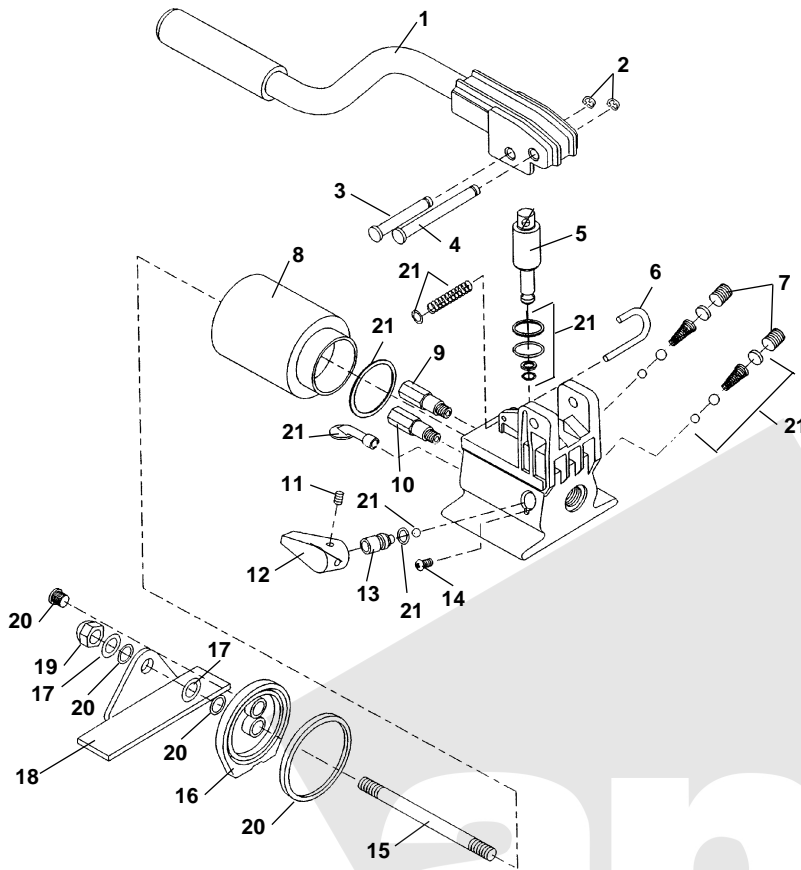
| Ref. No. | Catalog No. | Description | Ref. No. | Catalog No. | Description | Ref. No. | Catalog No. | Description |
|----------|-------------|--|----------|-------------|--|----------|-------------|--|
| 1 | 49117 | Depth Adjustment Nut | 22 | 27002 | Key, 3/16 Sq. x 1 5/16 | 36 | 49197 | Guard (Incls. Ref. 29) |
| 2 | 49112 | Depth Rod | 23 | 49107 | Set of 2 Slide Keys | 37 | 49127 | Bearing |
| 3 | 49122 | Spring | 24 | 51427 | Drive Shaft, 2-6" Sch. 10 & 40 | 38 | 49192 | Spiral Retaining Ring |
| 4 | 60995 | Flat Washer, 3/4" | | 51432 | Drive Shaft Assy. - same as above and includes Ref. 37, 49 | 39 | 49057 | Lower Roll Housing (Incls. Ref. 20) |
| 5 | 49262 | Label, Depth Adjustment | | 51817 | Drive Shaft, 8-12" Sch 10, 8" Sch 40 | 40 | 49177 | Retaining Ring |
| 6 | 49147 | Hydraulic Cylinder | | 51812 | Drive Shaft Assy. - same as above and includes Ref. 37, 49 | 41 | 49172 | Lock Pin |
| 7 | 49142 | Hydraulic Hose | | | | 42 | 44915 | Spring |
| 8 | 46915 | Grease Fitting - 65 Deg. | 25 | 87600 | Roller Bearing (2) | 43 | 49132 | Retaining Plate |
| 9 | 87695 | Seal | 26 | 49187 | Spiral Retaining Ring | 44 | 60265 | Hex Screw, 1/4" - 20 x 1/2" (3) |
| 10 | 87710 | Roller Bearing | 27 | 91000 | Seal | 45 | 49667 | Hex Bolt 5/8" - 11 x 7" |
| 11 | 49062 | Upper Roll Housing (Incls. Ref. 9, 10, 16, 17, 20, 21) | 28 | 49157 | Drive Roll, 1" | 46 | 61132 | Hydraulic Pump |
| 12 | 49152 | Lock Ring | 29 | 49072 | Drive Roll, 1 1/4" - 1 1/2" | 47 | 60005 | Hex Screw, 1/4" - 20 x 3/4" (4) |
| 13 | 49082 | Piston Rod Coupling | 30 | 51732 | Drive Roll, Copper 2" - 6" | 48 | 27402 | Flat Washer (4) |
| 14 | 45192 | Set Screw, 1/4" - 20 x 3/8" | 31 | 49202 | Set of 2 Spacers | 49 | 49607 | Bearing Retaining Nut |
| 15 | 49162 | Groove Roll, 1" | 32 | 48292 | Mounting Base Kit - 300 | 50 | 49067 | Drive Shaft - for 1", 1 1/4", 1 1/2" rolls and copper roll 2" - 6" |
| | 49097 | Groove Roll, 1 1/4" - 1 1/2" | 33 | 48392 | Mounting Base Kit - 1822 | | 49627 | Drive Shaft Assy. - same as above and includes Ref. 37, 38, 45 |
| | 49217 | Groove Roll 2" - 6" SC 10/40 | 34 | 48397 | Mounting Base Kit - 1224 | | | |
| | 51822 | Groove Roll, 8" - 12" Sch. 10, 8" Sch. 40 | 35 | 48402 | Mounting Base Kit - 535 | | | |
| | 50127 | Groove Roll, Copper 2" - 6" | | 60212 | Mounting Base Kit - 1233/300 Compact | | | |
| 16 | 45265 | Set Screw, 1/4" - 20 x 1/2" | | | | | | |
| 17 | 87690 | Seal | | | | | | |
| 18 | 49102 | Upper Roll Shaft (Incls. Ref. 8, 22) | 33 | 45500 | Hex Screw, 1/2" x 1 1/4" (2) | | | |
| 19 | 49252 | Hex Screw, 1/4" - 20 x 1" (2) | 32 | 86445 | Lock Washer, 1/2" (2) | | | |
| 20 | 46860 | Grease Fitting (4) | 34 | 49257 | Label, Warning | | | |
| 21 | 87610 | Roller Bearing | 35 | 49212 | Hex Screw, 1/4" - 20 x 1 3/4" (2) | | | |

Following Items Not Shown:

- 49087 T-Handle Hex Key, 1/8"
- 49167 Coupling - 535/1822/1224
- 53987 Roll Storage Case
- 54317 Box Wrench
- 60232 Sander Bracket

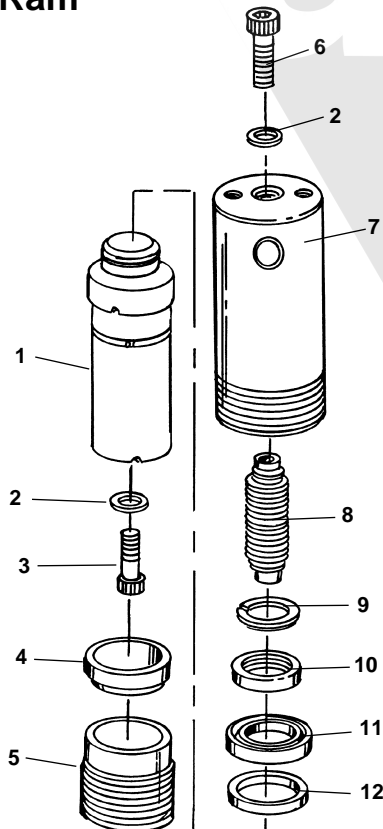
Hydraulic Pump, P392

**NOTE: Order parts by Catalog Number only.
DO NOT order by Reference Number.**



| Ref. No. | Catalog No. | Description |
|----------|-------------|--------------------------|
| — | 61132 | Pump Assembly, P392 |
| 1 | 64427 | Handle Assembly |
| 2 | 34245 | Retaining Rings Set of 5 |
| 3 | 63762 | Wrist Pin |
| 4 | 64442 | Pivot Pin |
| 5 | 63817 | Plunger Assembly |
| 6 | 63747 | Locking Pin |
| 7 | 63742 | Pipe Plug (2) |
| 8 | 64412 | Reservoir |
| 9 | 63752 | Low Pressure Relief |
| 10 | 63757 | High Pressure Relief |
| 11 | 58720 | Set Screws Set of 2 |
| 12 | 64437 | Release Knob |
| 13 | 63737 | Valve Stem |
| 14 | 64432 | Stop Screw |
| 15 | 64417 | Tie Rod |
| 16 | 63697 | End Cap |
| 17 | 63717 | Washers Pack of 2 |
| 18 | 64422 | Rear Foot |
| 19 | 63707 | Acorn Plug |
| 20 | 63712 | Fill Plug |
| 21 | 63657 | Repair Kit |

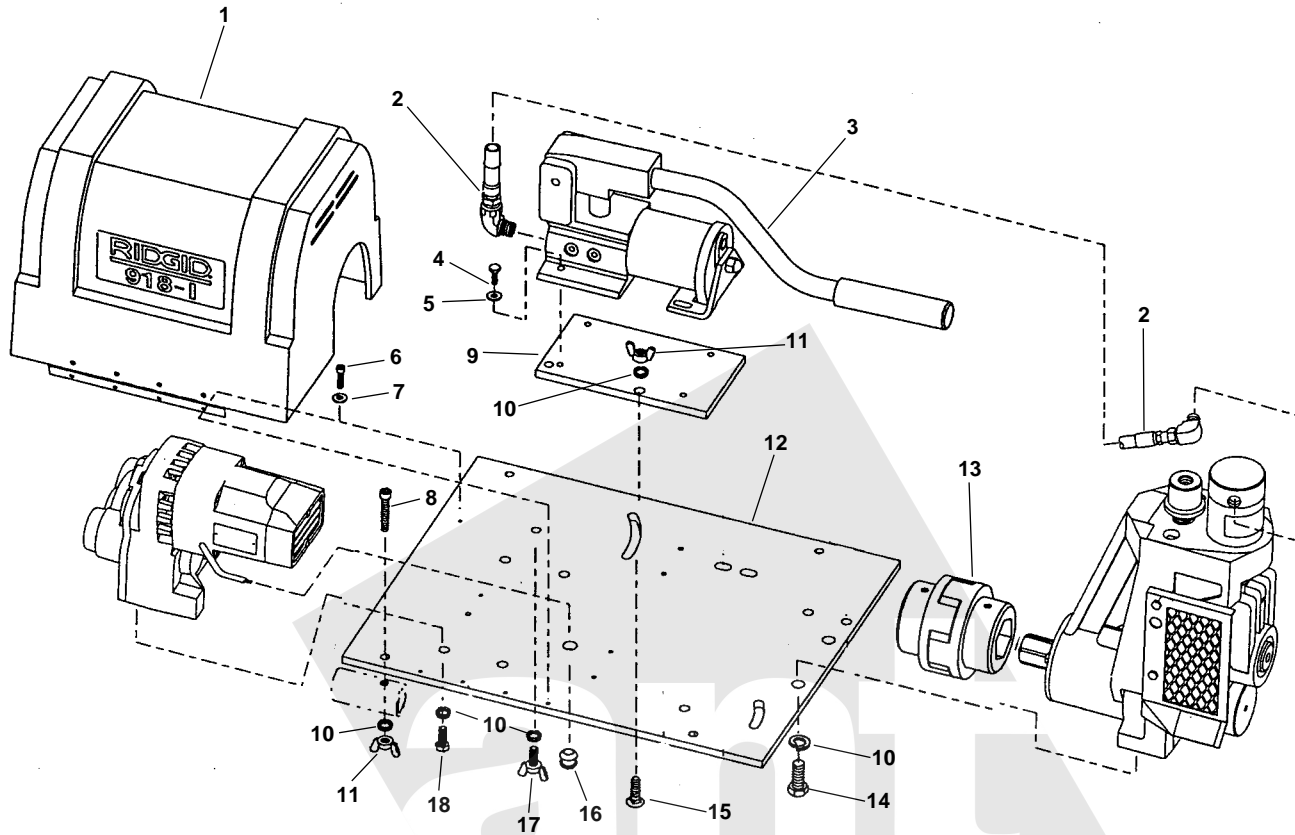
Hydraulic Ram



| Ref. No. | Catalog No. | Description |
|----------|-------------|---|
| 1 | 48622 | Piston Rod |
| 2* | 48617 | Copper Washer (2) |
| 3* | 48612 | Cap Screw 1/4" - 20 x 1 1/4" (Torque to 100 lbs.) |
| 4* | 48607 | Rod Wiper |
| 5 | 48602 | Retainer Nut (Torque to 100 lbs) |
| 6 | 48672 | Cap Screw, 1/4" - 20 x 1 1/8" (Torque to 100 lbs.) |
| 7 | 48667 | Cylinder Body |
| 8 | 48662 | Extension Spring |
| 9* | 48652 | Retaining Spring |
| 10 | 48647 | Slip Retainer |
| 11* | 48642 | U-Cup Seal |
| 12 | 48637 | Backup Washer |
| — | 48677 | Repair Kit |

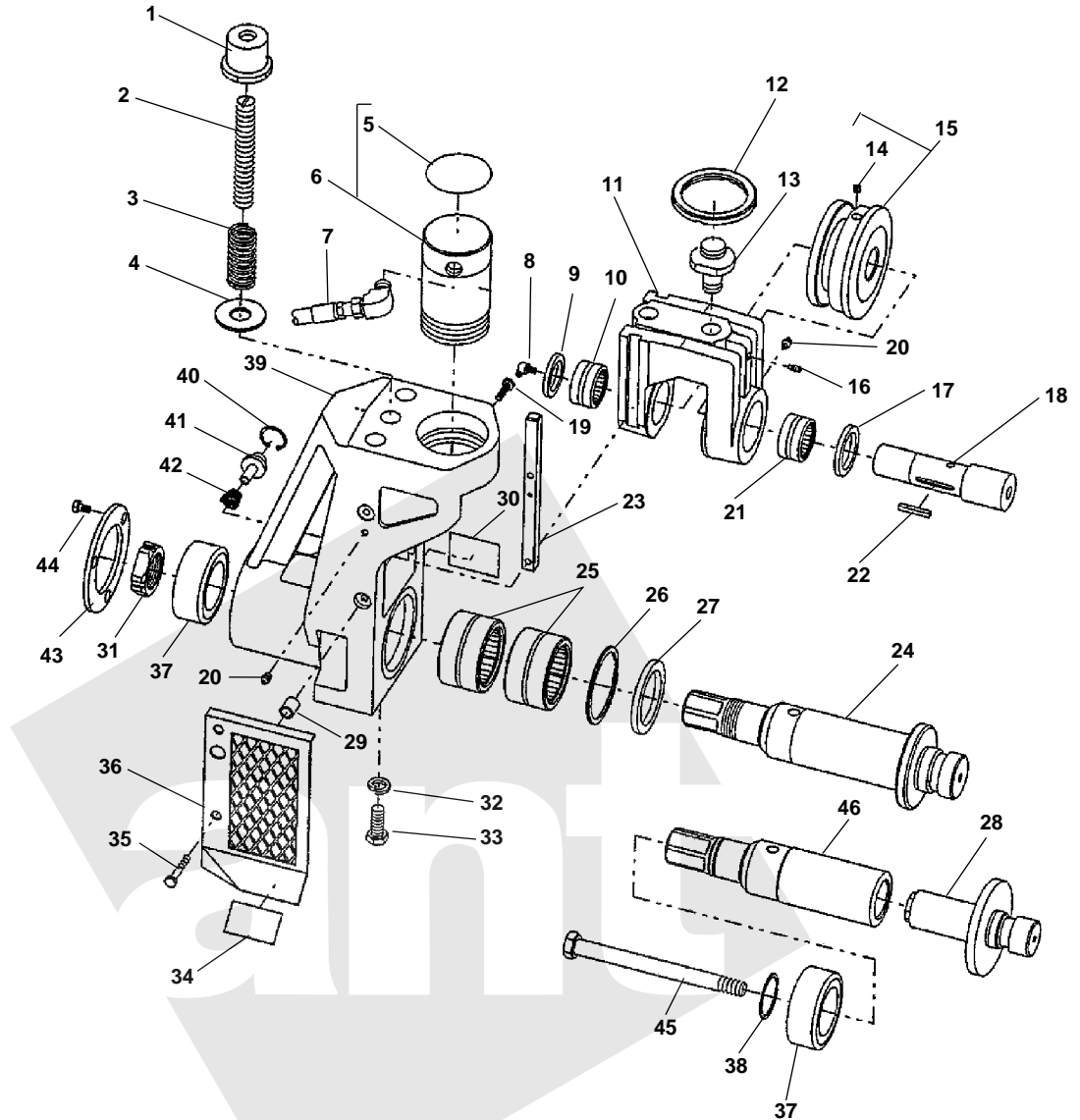
* Note: Items marked with an asterisk (*) are included in repair Kit No. 48677

Base Assembly



**NOTE: Order parts by Catalog Number only.
DO NOT order by Reference Number.**

| Ref. No. | Catalog No. | Description |
|----------|-------------|--------------------------------------|
| 1 | 65557 | Motor Shroud |
| 2 | 49142 | Hydraulic Hose Assembly – 115V, 230V |
| | 61372 | Hydraulic Hose Assembly – 100V |
| 3 | 61132 | Hydraulic Pump Complete |
| 4 | 60005 | Hex Screw, 1/4" - 20 x 3/4" (4) |
| 5 | 44740 | Lock Washer 1/4" (4) |
| 6 | 40260 | Screws #10 - 24 x 1/2" S.H.C.S. (5) |
| 7 | 45365 | Flat Washer, #10 (5) |
| 8 | 58052 | Hex Screw, 3/8" - 16 x 2 1/2" (4) |
| 9 | 87527 | Pump Mount Plate, 115V, 230V |
| | 65552 | Pump Mount Plate, 100V |
| 10 | 40930 | Lock Washer 3/8" |
| 11 | 45385 | Wing Nut, 3/8" - 16" (5) |
| 12 | 65577 | Base Plate |
| 13 | 65567 | Drive Coupling |
| 14 | 45500 | Hex Screw, 1/2" - 13 x 1 1/4" (2) |
| 15 | 61367 | Plow Bolt |
| 16 | 65112 | Rubber Grommet |
| 17 | 61362 | Wing Screw, 3/8" - 16 x 3/4" |
| 18 | 45470 | Hex Screw 3/8" - 16 x 1" |

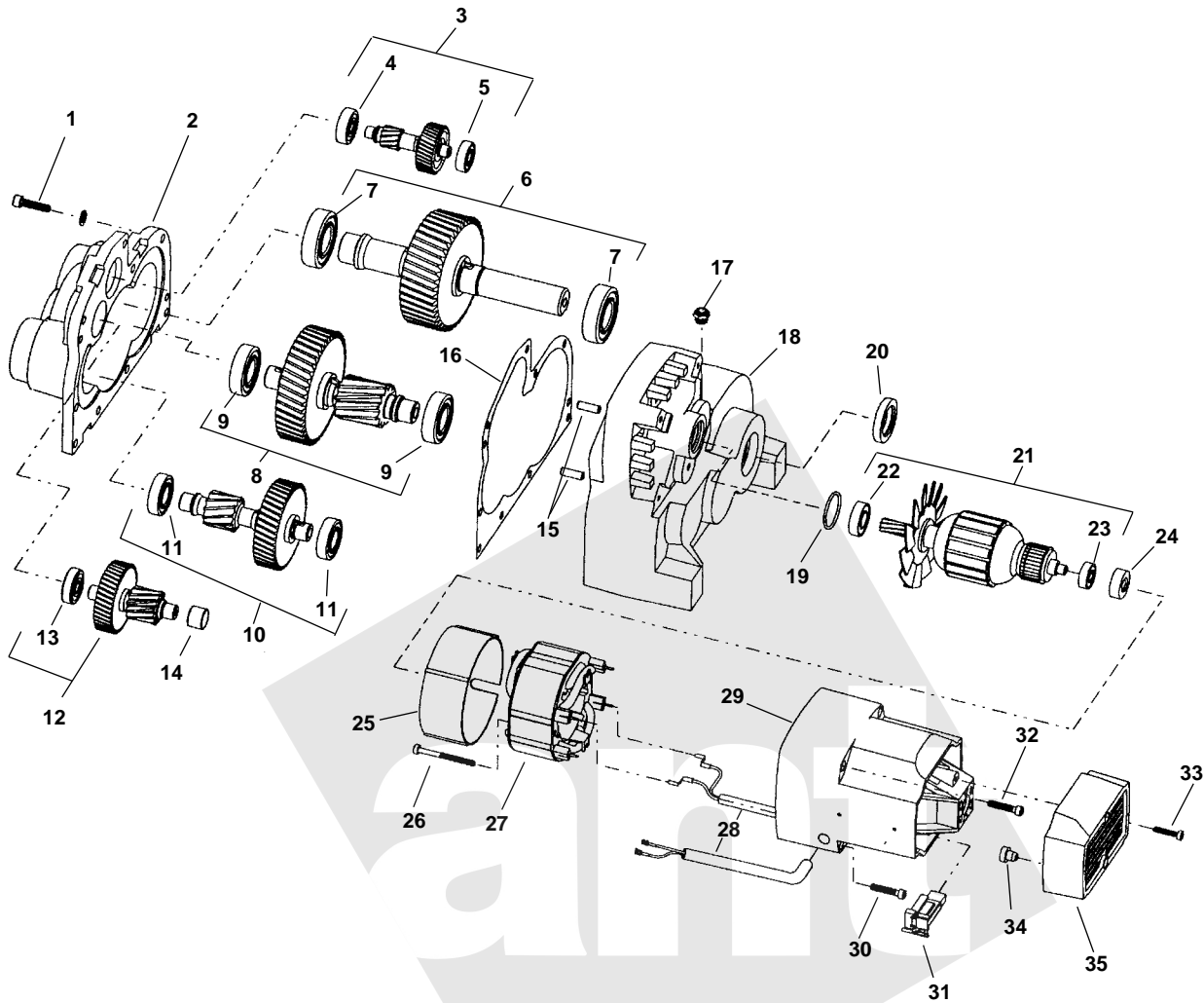


**NOTE: Order parts by Catalog Number only.
DO NOT order by Reference Number.**

| Ref. No. | Catalog No. | Description | Ref. No. | Catalog No. | Description | Ref. No. | Catalog No. | Description |
|----------|-------------|--|----------|-------------|--|----------|-------------|--|
| 1 | 49117 | Depth Adjustment Nut | 18 | 49102 | Upper Roll Shaft (Incls. Ref. 8, 22) | 34 | 49257 | Label, Warning |
| 2 | 49112 | Depth Rod | 19 | 49252 | Hex Screw, 1/4" - 20 x 1" (2) | 35 | 49212 | Hex Screw, 1/4" - 20 x 1 3/16" (2) |
| 3 | 49122 | Spring | 20 | 46860 | Grease Fitting (4) | 36 | 49197 | Guard (Incls. Ref. 29) |
| 4 | 60995 | Flat Washer, 3/4" | 21 | 87610 | Roller Bearing | 37 | 49127 | Bearing |
| 5 | 49262 | Label, Depth Adjustment | 22 | 27002 | Key, 3/16" Sq. x 1 5/16" | 38 | 49192 | Spiral Retaining Ring |
| 6 | 49147 | Hydraulic Cylinder | 23 | 49107 | Set of 2 Slide Keys | 39 | 49057 | Lower Roll Housing (Incls. Ref. 20) |
| 7 | 49142 | Hydraulic Hose Assembly - 115V/230V | 24 | 51427 | Drive Shaft, 2" - 6" Sch 10 & 40 | 40 | 49177 | Retaining Ring |
| | 61372 | Hydraulic Hose Assembly - 100V | 25 | 51432 | Drive Shaft Assy. - same as above and includes Ref. 31, 37 | 41 | 49172 | Lock Pin |
| 8 | 46915 | Grease Fitting - 65 Deg. | | 51817 | Drive Shaft, 8" - 12" Sch. 10, 8" Sch 40 | 42 | 44915 | Spring |
| 9 | 87695 | Seal | | 51812 | Drive Shaft Assy. - same as above and includes Ref. 31, 37 | 43 | 49132 | Retaining Plate |
| 10 | 87710 | Roller Bearing | 25 | 87600 | Roller Bearing (2) | 44 | 60265 | Hex Screw, 1/4" - 20 x 1/2" (3) |
| 11 | 49062 | Upper Roll Housing (Incls. Ref. 9, 10, 16, 17, 20, 21) | 26 | 49187 | Spiral Retaining Ring | 45 | 49667 | Hex Bolt 5/8" - 11 x 7" |
| 12 | 49152 | Lock Ring | 27 | 91000 | Seal | 46 | 49067 | Drive Shaft - for 1", 1 1/4", 1 1/2" Rolls and Copper Roll 2" - 6" |
| 13 | 49082 | Piston Rod Coupling | 28 | 49157 | Drive Roll, 1" | | 49627 | Drive Shaft Assy. - same as above and includes Ref. 37, 38, 45 |
| 14 | 45192 | Cone Pt. Screw, 1/4" - 20 x 3/8" | | 49072 | Drive Roll, 1 1/4" - 1 1/2" | | | |
| 15 | 49162 | Groove Roll, 1" | | 51732 | Drive Roll, Copper 2" - 6" | | | |
| | 49097 | Groove Roll, 1 1/4" - 1 1/2" | 29 | 49202 | Set of 2 Spacers | | | |
| | 49217 | Groove Roll 2" - 6" SC 10/40 | 30 | 49207 | Label, Warning | | | |
| | 51822 | Groove Roll, 8" - 12" Sch. 10, 8" Sch 40 | 31 | 49607 | Bearing Retaining Nut | | | |
| | 50127 | Groove Roll, Copper 2" - 6" | 32 | 84150 | Lock Washer, 1/2" (2) | | | |
| 16 | 45265 | Set Screw, 1/4" - 20 x 1/2" | 33 | 45500 | Hex Screw, 1/2" x 1 1/4" (2) | | | |
| 17 | 87690 | Seal | | | | | | |

| Following Items Not Shown: | | |
|----------------------------|------------------------|--|
| 49087 | T-Handle Hex Key, 1/8" | |
| 53987 | Roll Storage Case | |
| 54317 | Box Wrench | |
| 67192 | Spanner Wrench | |
| 67197 | Hex Key 3/8" | |

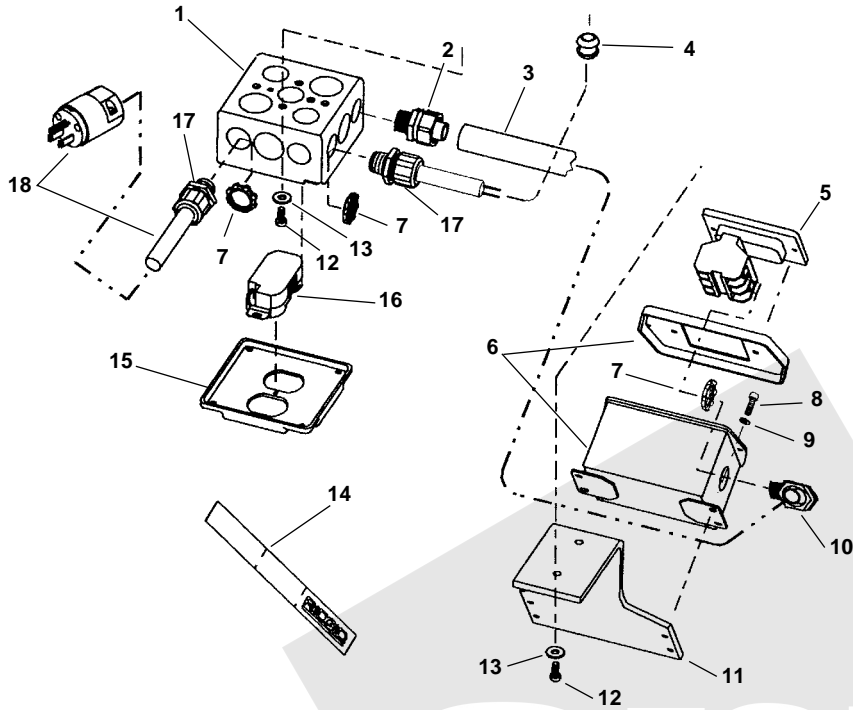
Motor/Transmission



**NOTE: Order parts by Catalog Number only.
DO NOT order by Reference Number.**

| Ref. No. | Catalog No. | Description | Ref. No. | Catalog No. | Description | Ref. No. | Catalog No. | Description |
|----------|-------------|--------------------------------|----------|-------------|--------------------------|----------|-------------|---------------------------------------|
| 1 | 83685 | Screws | 15 | 65497 | Dowel Pin (2) | 27 | 58572 | Field Assembly – 100V |
| 2 | 65452 | Transmission Housing Cover | 16 | 65502 | Gasket | | 45897 | Field Assembly – 115V |
| 3 | 65457 | 1st Intermediate Gear Assembly | 17 | 59252 | Breather Plug | | 58567 | Field Assembly – 230V |
| 4 | 44760 | Ball Bearing | 18 | 65507 | Transmission Housing | 28 | 58562 | Wiring Harness |
| 5 | 59147 | Ball Bearing | 19 | 60227 | O-Ring Seal | 29 | 65517 | Motor Housing |
| 6 | 65462 | Output Shaft Assembly | 20 | 65512 | Grease Seal | 30 | 26642 | Soc. Hd. Cap Scr. #10-32 x 1 3/4" (4) |
| 7 | 45315 | Ball Bearing (2) | 21 | 58557 | Armature Assembly – 100V | 31 | 45882 | Brush/Holder Set – 100V, 115V |
| 8 | 65467 | 4th Intermediate Gear Assembly | | 45907 | Armature Assembly – 115V | | 61287 | Brush/Holder Set – 230V |
| 9 | 44565 | Ball Bearing (2) | | 58552 | Armature Assembly – 230V | 32 | 58547 | Screws |
| 10 | 65472 | 3rd Intermediate Gear Assembly | 22 | 43017 | Ball Bearing | 33 | 45867 | Screws |
| 11 | 65477 | Ball Bearing (2) | 23 | 45912 | Ball Bearing | 34 | 45877 | Bumper |
| 12 | 65482 | 2nd Intermediate Gear Assembly | 24 | 42777 | Bearing Mount | 35 | 45872 | End Cap |
| 13 | 65487 | Ball Bearing | 25 | 58577 | Fan Shroud | | | |
| 14 | 65492 | Needle Bearing | 26 | 45902 | Screws | | | |

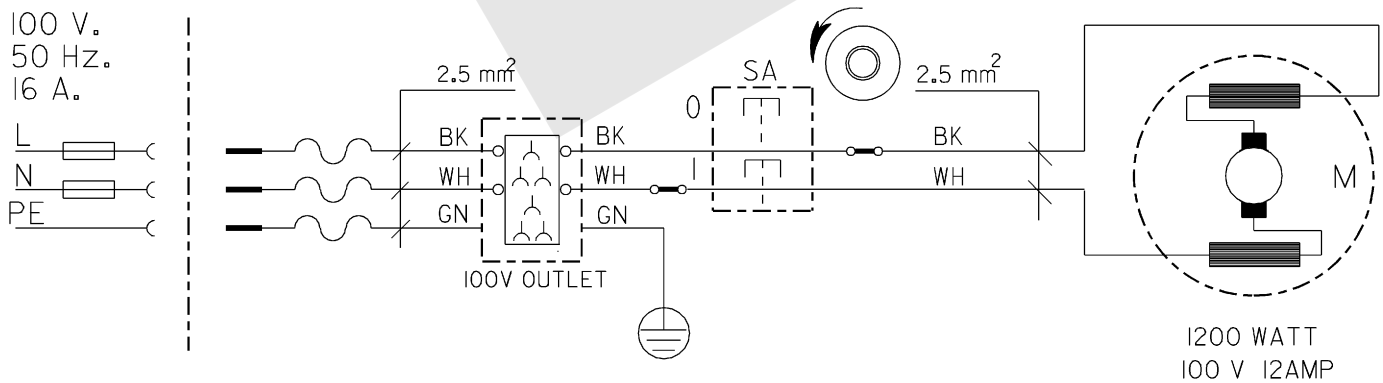
Electrical, 100V



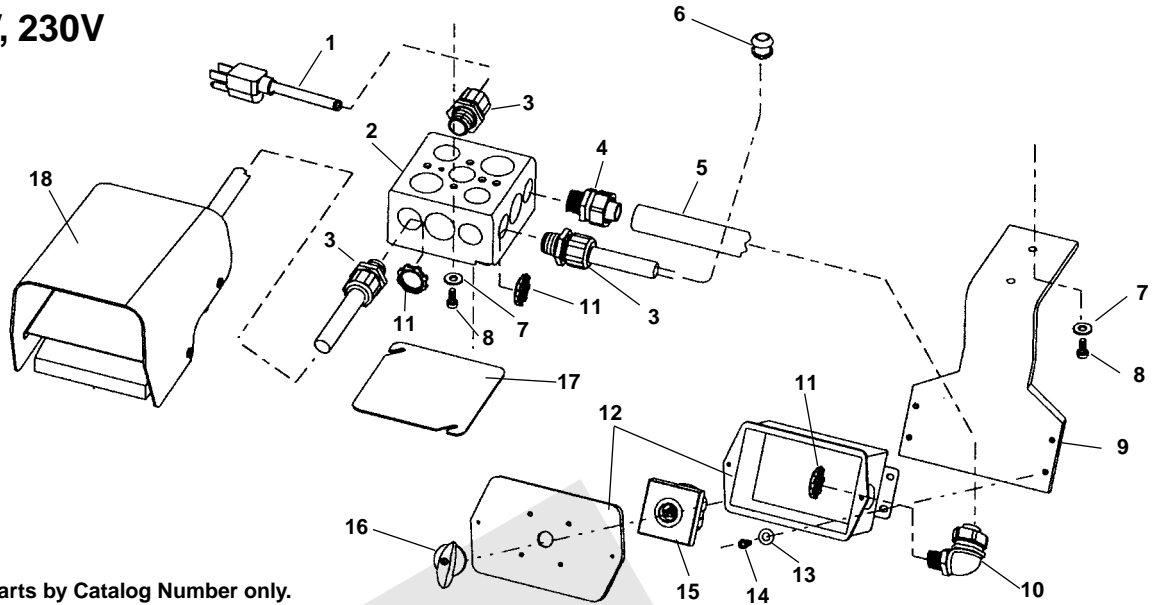
**NOTE: Order parts by Catalog Number only.
DO NOT order by Reference Number.**

| Ref. No. | Catalog No. | Description |
|----------|-------------|-----------------------------------|
| 1 | 65587 | Junction Box |
| 2 | 65607 | Conduit Fitting, 1/2" Straight |
| 3 | 65612 | Flexible Conduit, 1/2" |
| 4 | 65112 | Rubber Grommet |
| 5 | 54227 | Switch, Push Button |
| 6 | 65637 | Switch Box w/Cover |
| 7 | 65642 | Locknut, 1/2" NPT (4) |
| 8 | 45750 | Screw #10 - 24 x 3/8" S.H.C.S (4) |
| 9 | 45365 | Flat Washer, #10 (2) |
| 10 | 65647 | Fitting, 90 Deg, 1/2" |
| 11 | 61337 | Switch Bracket |
| 12 | 60005 | Hex Screw, 1/4" - 20 x 3/4" (2) |
| 13 | 44740 | Lock Washer 1/4" (2) |
| 14 | 65582 | Lanyard |
| 15 | 95597 | Junction Box Cover |
| 16 | 65592 | Outlet |
| 17 | 65602 | Strain Relief (2) |
| 18 | 46740 | Power Cord w/Plug |

Wiring Diagram



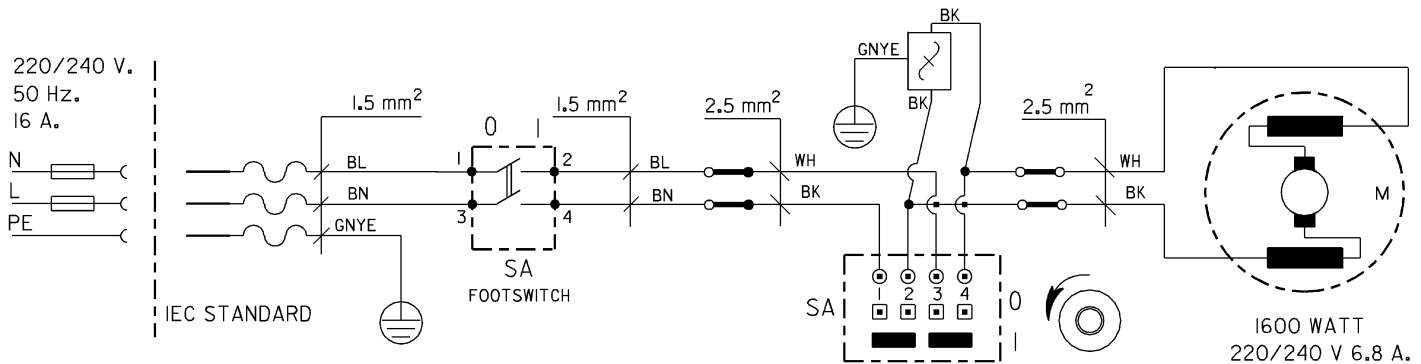
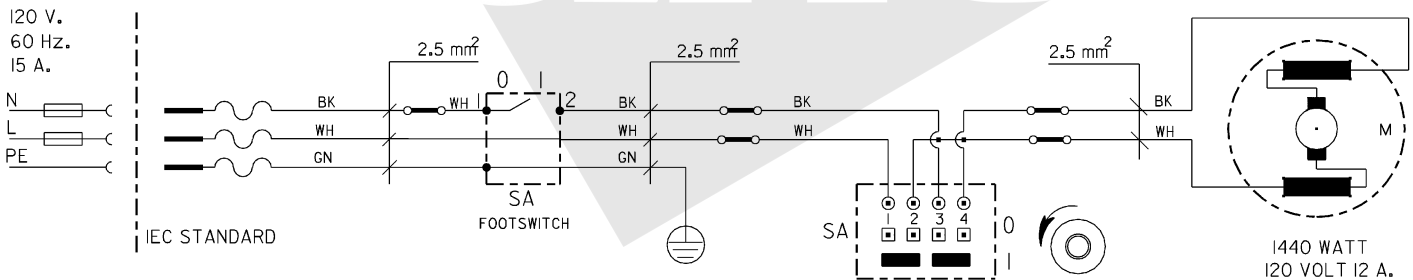
Electrical, 115V, 230V



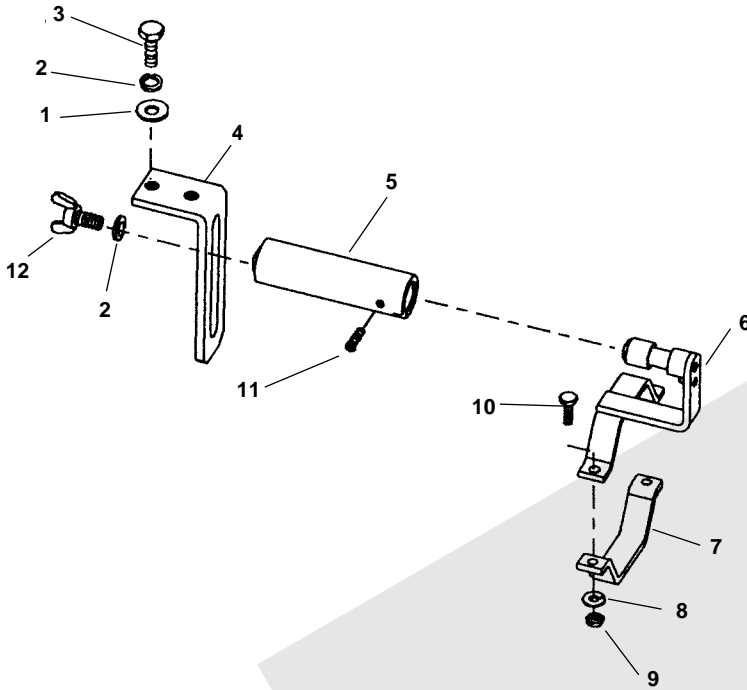
**NOTE: Order parts by Catalog Number only.
DO NOT order by Reference Number.**

| Ref. No. | Catalog No. | Description | Ref. No. | Catalog No. | Description |
|----------|-------------|---------------------------------|----------|-------------|------------------------------------|
| 1 | 46740 | Power Cord w/Plug | 11 | 65642 | Locknut, 1/2" NPT (5) |
| 2 | 65587 | Junction Box | 12 | 65962 | Switch Box w/Cover |
| 3 | 65602 | Strain Relief (3) | 13 | 45365 | Flat Washer, #10 (4) |
| 4 | 65607 | Conduit Fitting, 1/2" Straight | 14 | 45750 | Screw #10 - 24 x 3/8" S.H.C.S. (4) |
| 5 | 65612 | Flexible Conduit, 1/2" | 15 | 65967 | Switch w/Knob |
| 6 | 65112 | Rubber Grommet | 16 | 65972 | Knob w/Screw |
| 7 | 44740 | Lock Washer 1/4" (4) | 17 | 65977 | Junction Box Cover |
| 8 | 60005 | Hex Screw, 1/4" - 20 x 3/4" (4) | 18 | 36642 | Foot Switch, B-294, 115V Model |
| 9 | 61337 | Switch Bracket | | 40017 | Foot Switch, B-298, 230V Model |
| 10 | 65647 | Fitting, 90 Deg, 1/2" | | | |

Wiring Diagram



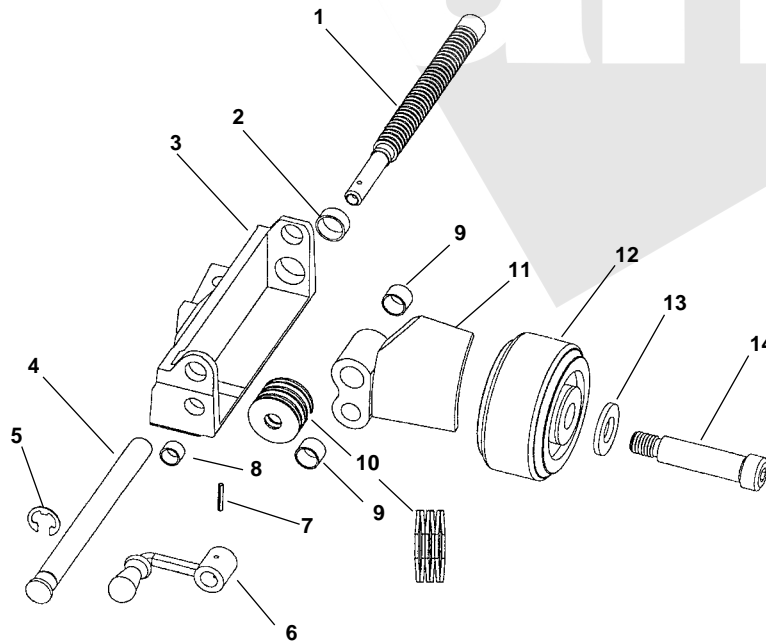
Sander Bracket



**NOTE: Order parts by Catalog Number only.
DO NOT order by Reference Number.**

| Ref. No. | Catalog No. | Description |
|----------|-------------|---|
| 1 | 61592 | Flat Washer $\frac{3}{8}$ " |
| 2 | 40930 | Lock Washer, $\frac{3}{8}$ " (3) |
| 3 | 45590 | Hex Screw $\frac{3}{8}$ " - 16 x $1\frac{1}{2}$ " |
| 4 | 65112 | Sander Bracket |
| 5 | 65627 | Sander Pivot Tube |
| 6 | 65057 | Sander Attachment |
| 7 | 65632 | Sander Clamp |
| 8 | 44740 | Lock Washer, $\frac{1}{4}$ " |
| 9 | 80370 | Hex Nut, $\frac{1}{4}$ " |
| 10 | 49252 | Hex Screw, $\frac{1}{4}$ " - 20 x 1" (2) |
| 11 | 54322 | Set Screw, Half Dog Point, $\frac{1}{4}$ " - 20 x $\frac{3}{8}$ " |
| 12 | 61362 | Wing Screw, $\frac{3}{8}$ " - 16 x $\frac{3}{4}$ " |

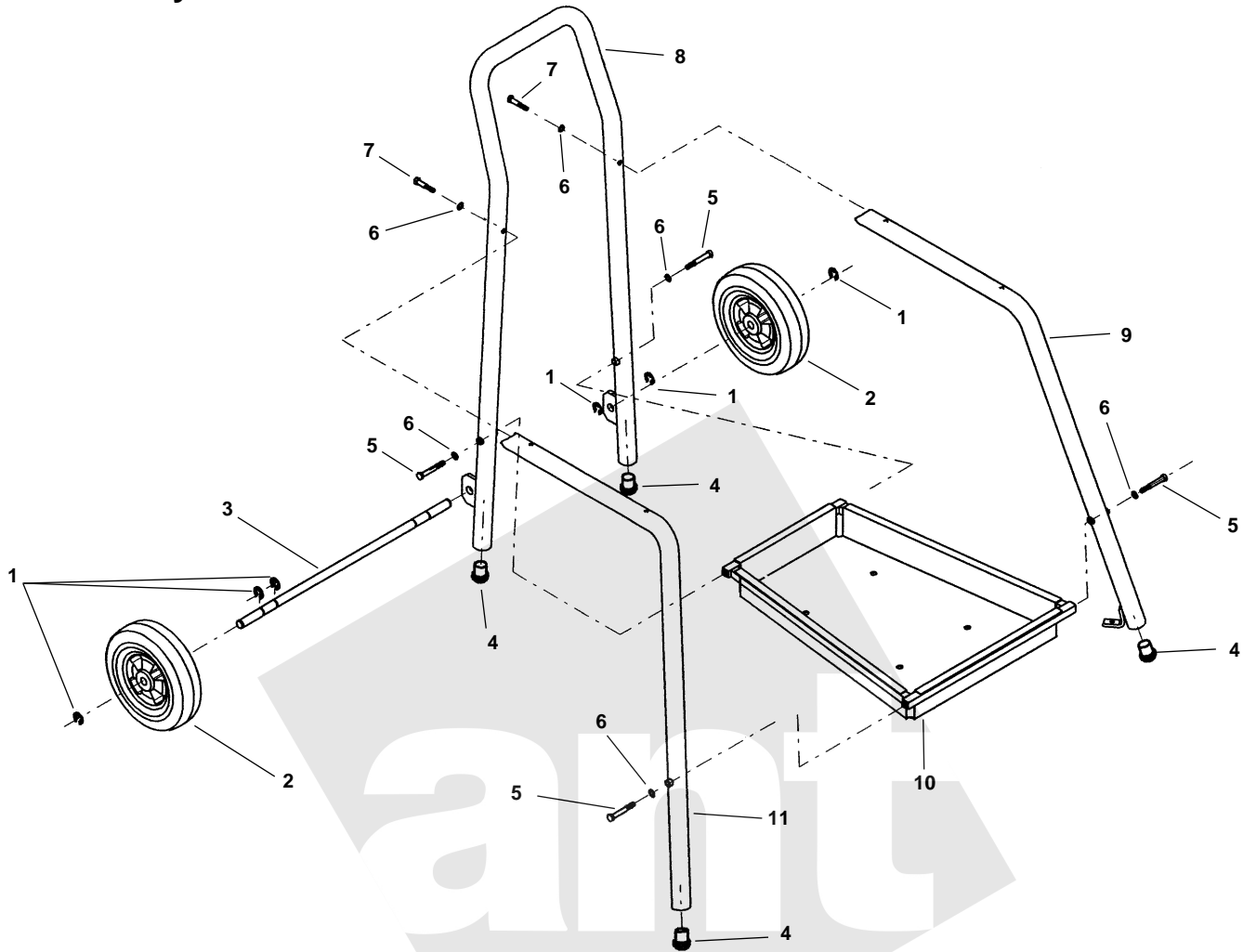
Stabilizer



**NOTE: Order parts by Catalog Number only.
DO NOT order by Reference Number.**

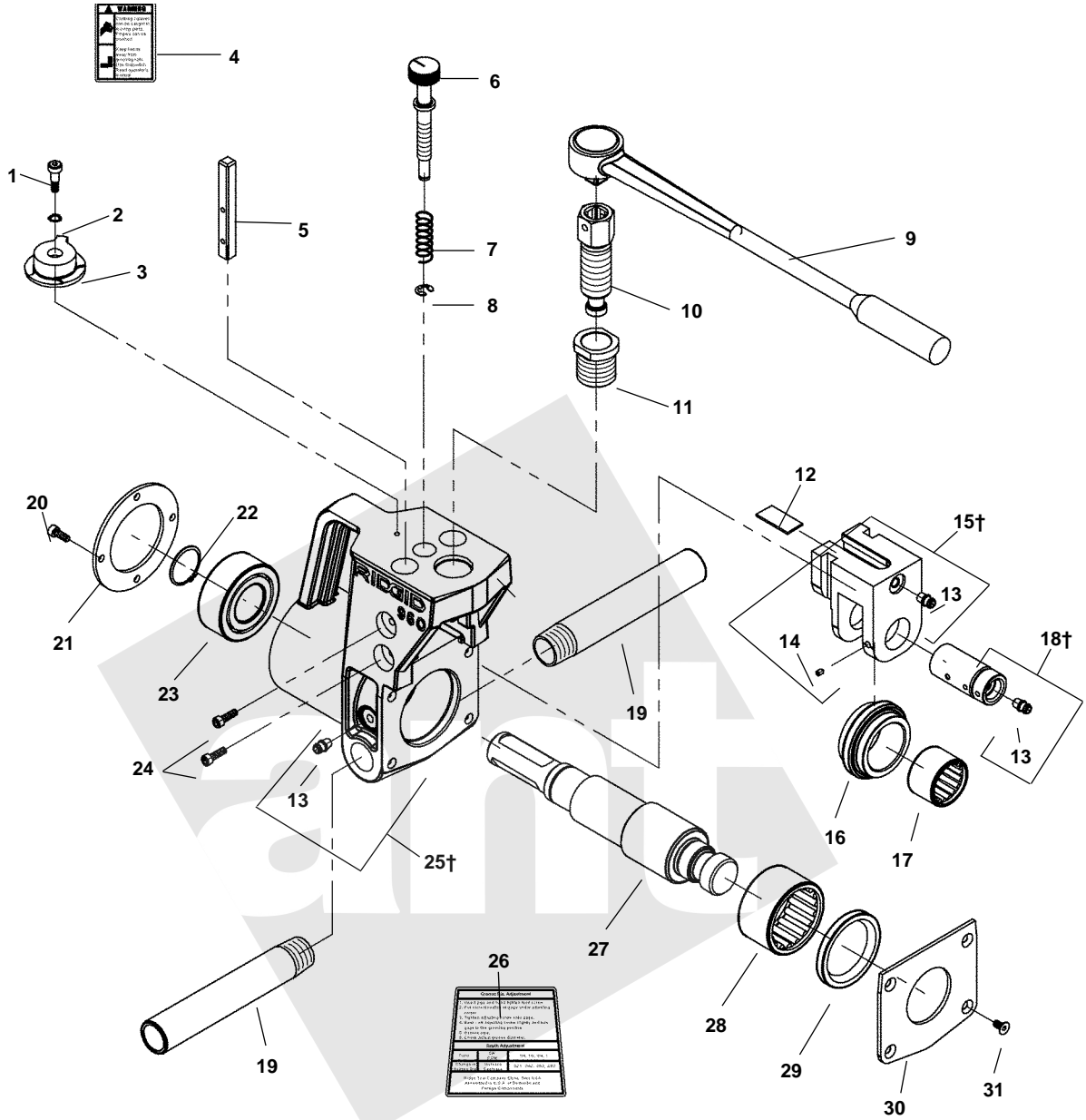
| Ref. No. | Catalog No. | Description |
|----------|-------------|---|
| — | 59992 | Stabilizer Kit, Non-Operator Side |
| — | 59997 | Stabilizer Kit, Operator Side |
| 1 | 61802 | Feed Screw |
| 2 | 61817 | Bearing, $\frac{3}{4}$ " x $\frac{3}{8}$ " |
| 3 | 61797 | Slide Box, Operator Side |
| 4 | 61792 | Slide Box, Non-Operator Side |
| 5 | 91832 | Guide Shaft |
| 6 | 42580 | E-Ring |
| 7 | 53087 | Crank Handle |
| 8 | 55222 | Pin |
| 9 | 53072 | Bearing, $\frac{1}{2}$ " x $\frac{3}{8}$ " |
| 10 | 61822 | Set of 2 Bearing, $\frac{5}{8}$ " x $\frac{1}{2}$ " |
| 11 | 61827 | Set of 6 Bellville Washers |
| 12 | 61812 | Slide, Operator Side |
| 13 | 61807 | Slide, Non-Operator Side |
| 14 | 53052 | Wheel |
| 15 | 60995 | Washer |
| 16 | 53097 | Shoulder Bolt |

Cart Assembly



**NOTE: Order parts by Catalog Number only.
DO NOT order by Reference Number.**

| Ref. No. | Catalog No. | Description |
|----------|-------------|--|
| | 64192 | Stand Complete |
| 1 | 58850 | Retaining Ring (6) |
| 2 | 23602 | Wheel, 10" Dia. (2) |
| 3 | 65522 | Wheel Axle |
| 4 | 61470 | Rubber Foot (4) |
| 5 | 46675 | Hex Screw $\frac{3}{8}$ " - 16 x $2\frac{3}{4}$ " (4) |
| 6 | 40930 | Lock Washer $\frac{3}{8}$ " (6) |
| 7 | 61357 | Hex Screw, $\frac{3}{8}$ " - 16 x $2\frac{1}{2}$ " (2) |
| 8 | 65527 | Rear Leg Support/Handle - U.S. |
| | 61342 | Rear Leg Support/Handle - Export |
| 9 | 65537 | Leg, Right Front - U.S. |
| | 61347 | Leg, Right Front - Export |
| 10 | 65542 | Tool Tray Assembly |
| 11 | 65547 | Leg, Left Front - U.S. |
| | 61352 | Leg, Left Front - Export |

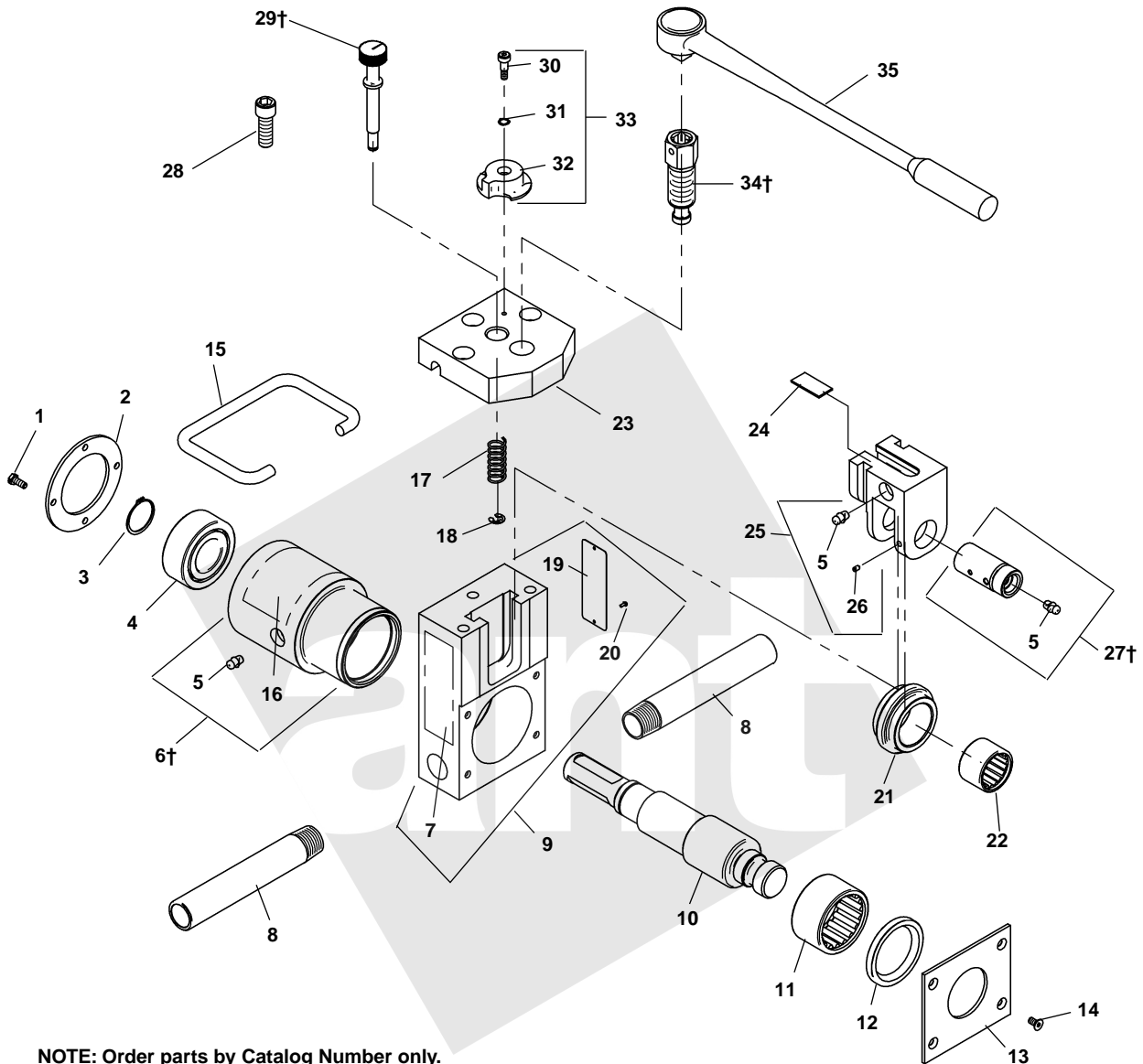


**NOTE: Order parts by Catalog Number only.
DO NOT order by Reference Number.**

| Ref. No. | Catalog No. | Description | Ref. No. | Catalog No. | Description |
|----------|-------------|----------------------|----------|-------------|---------------------------------|
| — | 91207 | 960 Roll Groover | 16 | 87927 | Groove Roll 1 1/4" - 6" |
| 1 | 87947 | Shoulder Screw | 17 | 87922 | Needle Bearing |
| 2 | 87972 | Wave Spring | 18† | 87917 | Groove Roll Shaft |
| 3 | 87932 | Groove Setting Gauge | 19 | 87682 | Support Bar (2) |
| 4 | 87957 | Warning Label | 20 | 40260 | #10-32 Hex Head Screw (4) |
| 5 | 93307 | Slide Key | 21 | 45202 | Retaining Plate |
| 6 | 87687 | Adjustment Screw | 22 | 45152 | Retaining Ring |
| 7 | 87912 | Spring | 23 | 45147 | Bearing |
| 8 | 87937 | Retaining Ring | 24 | 93302 | 10-24 x 1/2" Soc. Hd. Screw (4) |
| 9 | 70437 | Ratchet Wrench | 25† | 93292 | Main Housing |
| 10 | 93322 | Feed Screw | 26 | 93297 | Depth Adjustment Label |
| 11 | 93327 | Bushing, Feed Screw | 27 | 45122 | Drive Shaft |
| 12 | 87977 | Wear Plate | 28 | 45142 | Needle Bearing |
| 13 | 46860 | Grease Fitting (3) | 29 | 45157 | Front Seal |
| 14 | 45187 | Set Screw | 30 | 93312 | Cover Plate |
| 15† | 93317 | Slide Block | 31 | 91107 | Flat Head Screw (4) |

† Service Note: – Grease components monthly, more often during heavy usage.

Early Style



**NOTE: Order parts by Catalog Number only.
DO NOT order by Reference Number.**

| Ref. No. | Catalog No. | Description | Ref. No. | Catalog No. | Description |
|----------|-------------|-------------------------------------|----------|-------------|-------------------------------------|
| — | 83937 | 960 Roll Groover | 18 | 87937 | Retaining Ring |
| 1 | 45207 | Hex Head Mach Screw #10-32 (4) | 19 | 87952 | Name Plate |
| 2 | 45202 | Retaining Plate | 20 | 46870 | Drive Screw (3) |
| 3 | 45152 | Retaining Ring | 21 | 87927 | Groove Roll |
| 4 | 45147 | Bearing | 22 | 87922 | Needle Bearing |
| 5 | 46860 | Drive Grease Fitting (3) | 23 | 87667 | Top Plate |
| 6† | 87662 | Base Bushing | 24 | 87977 | Wear Plate |
| 7 | 87967 | Depth Adjustment Label | 25 | 87677 | Slide Block |
| 8 | 87682 | Support Bar (2) | 26 | 45187 | Set Screw #10-24 Socket Hd |
| 9 | 87657 | Base | 27† | 87917 | Groove Roll Shaft |
| 10 | 45122 | Drive Shaft | 28 | 87942 | Soc. Hd. Cap Screw 7/16" x 1/4" (4) |
| 11 | 45142 | Needle Bearing | 29† | 87687 | Adjustment Screw |
| 12 | 45157 | Front Seal | 30 | 87947 | Shoulder Screw |
| 13 | 87672 | Cover Plate | 31 | 87972 | Wave Spring |
| 14 | 59192 | Flat Hd Cap Screw #10-24 x 1/2" (4) | 32 | 87932 | Groove Setting Gauge |
| 15 | 87962 | Handle | 33 | 88777 | Groove Setting Gauge Assembly |
| 16 | 87957 | Warning Label | 34† | 87907 | Feed Screw |
| 17 | 87912 | Spring | 35 | 70437 | Ratchet Wrench |

† Service Note: – Grease components monthly, more often during heavy usage.