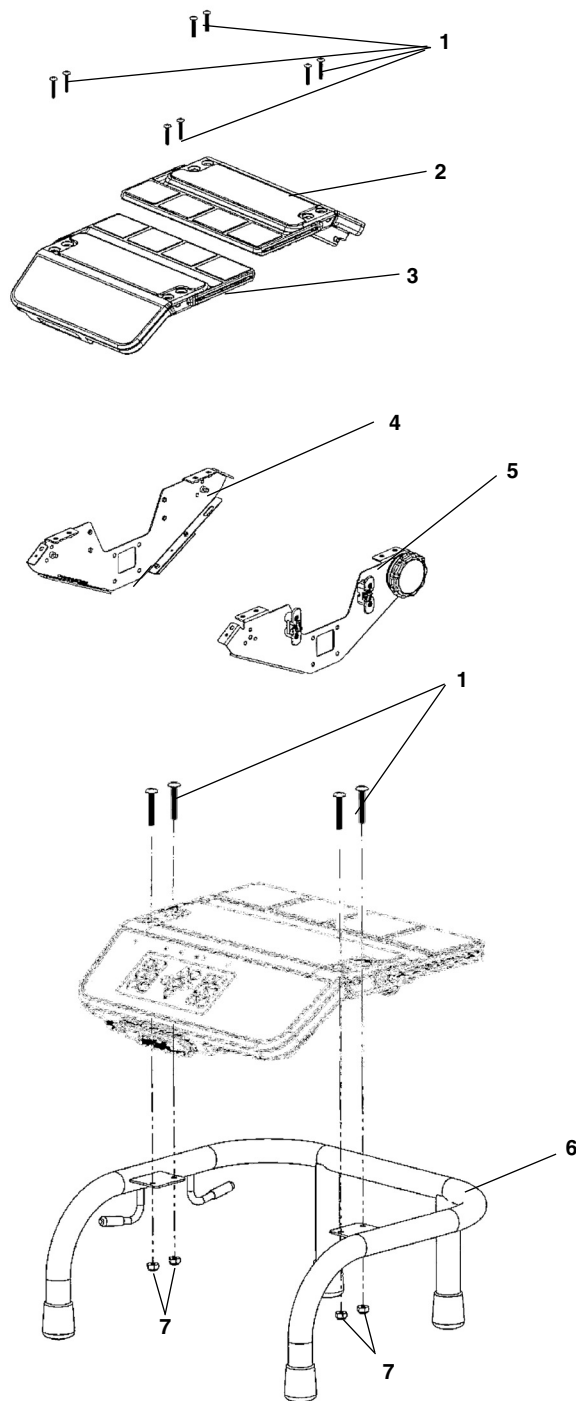


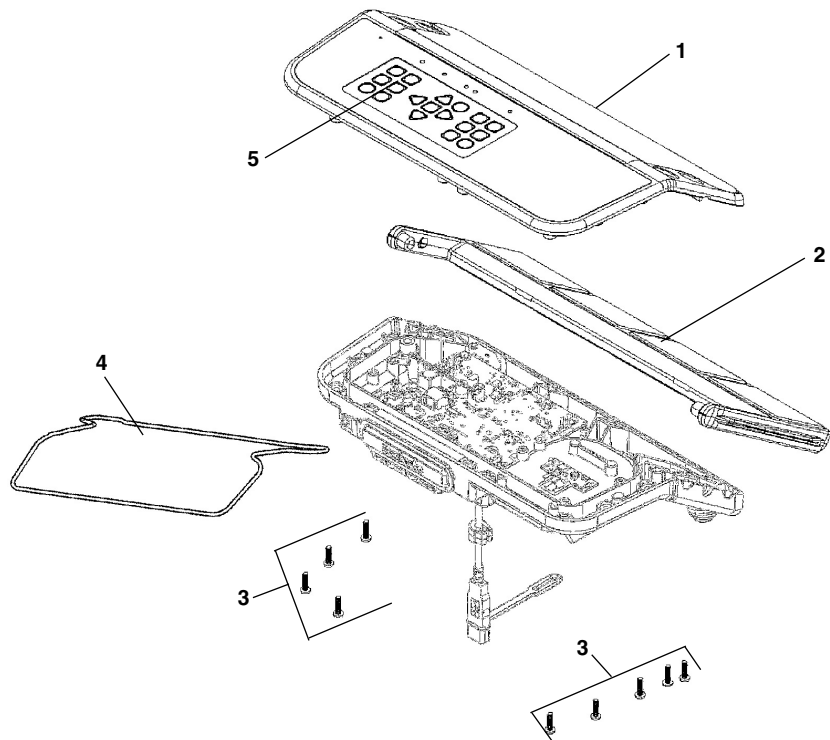
LT1000/LT1000M



**NOTE: Order parts by Catalog Number only.
DO NOT order by Reference Number.**

Ref. No.	Catalog No.	Description
1	40743	Screw, #10-32 x 1/4" (8)
2	40843	Bottom Case Assembly
3	40843	Top Case Assembly
4	40398	Rear Side Plate Assembly.
5	40393	Front Side Plate Assembly
6	40438	LT 1000M Frame Assembly
7	40883	Hex Nut, #10-32

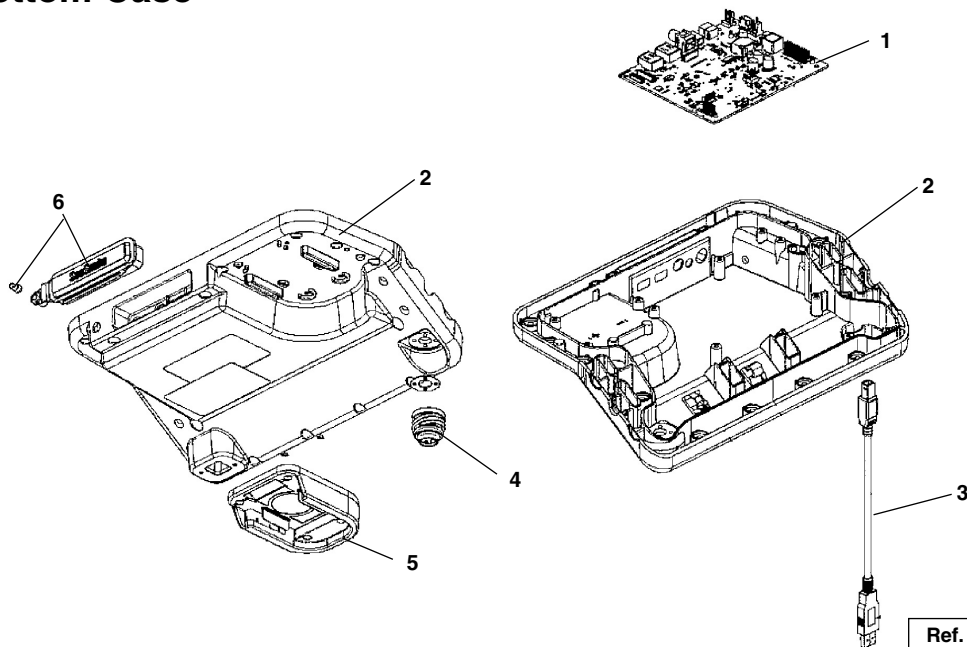
Top Case



**NOTE: Order parts by Catalog Number only.
DO NOT order by Reference Number.**

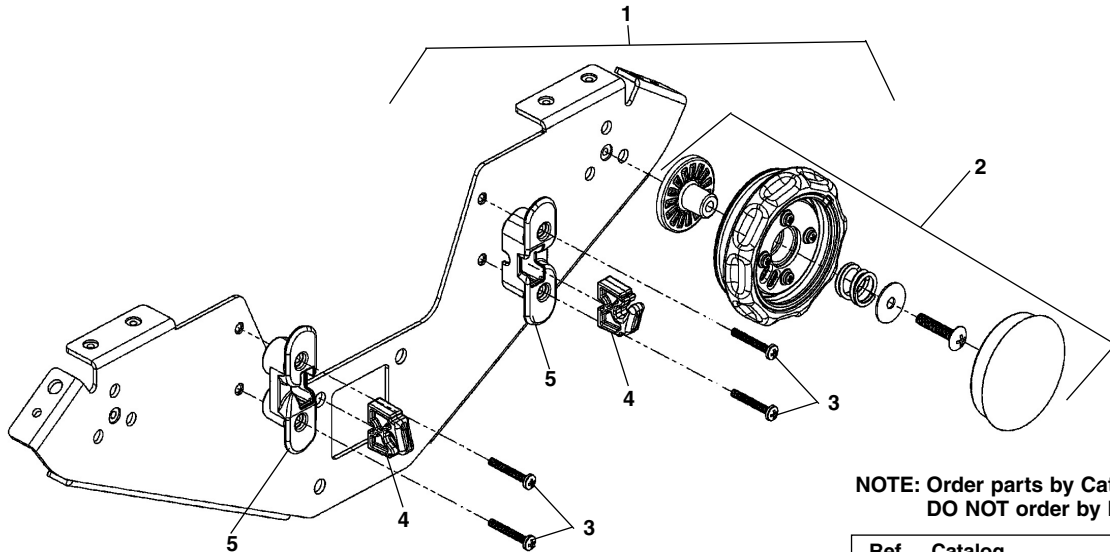
Ref. No.	Catalog No.	Description
1	40388	Top Case Assembly
2	39128	Winglet
3	97177	Screw, #6 x 1/2 " (15)
4	40403	Seal
5	39803	Keypad

Bottom Case



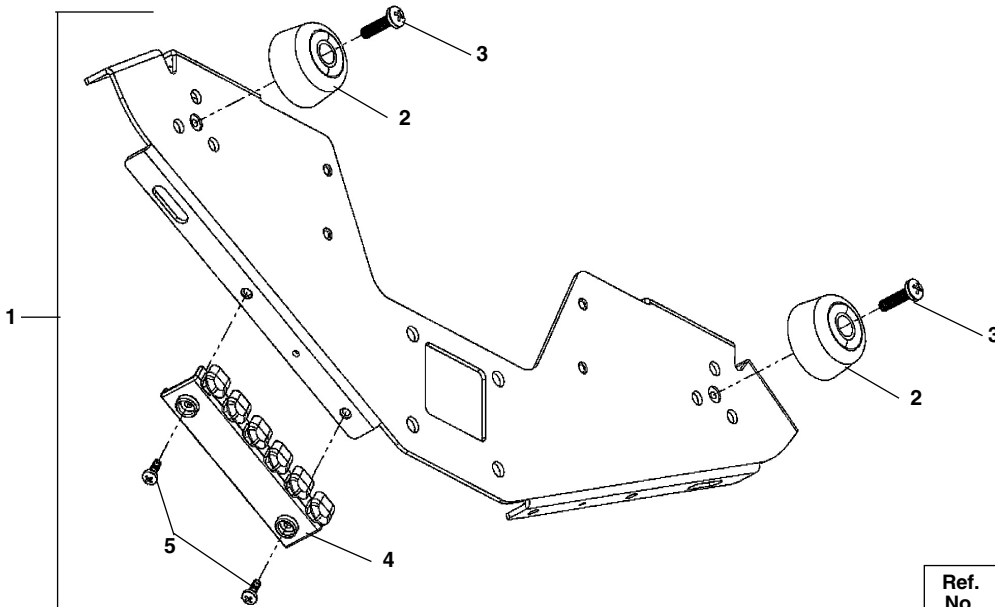
Ref. No.	Catalog No.	Description
1	40423	Main PCB Assembly
2	40843	Bottom Case (Less PCB)
3	40428	USB-B to USB-A Adapter (3 Ft.)
	40433	USB-B to USB-A Adapter (6 Ft.)
4	33848	Bulkhead Connector
5	33868	Battery Socket
6	40848	Front Cover Assembly

LT1000 Side Plate



**NOTE: Order parts by Catalog Number only.
DO NOT order by Reference Number.**

Ref. No.	Catalog No.	Description
1	40393	Front Side Plate Assembly \ (Incl ref no's 1-5)
2	40408	Adjustment Knob Kit
3	97177	Screw, #6 - 32 x 1" (4)
4	40418	Cord Wrap Insert (2)
5	40413	Cord Wrap



Ref. No.	Catalog No.	Description
1	40398	Rear Side Plate Assembly (Incl ref no's 1-5)
2	40763	Rubber Foot (2)
3	40728	Screw, #10 - 32 x 5/8" (2)
4	40768	Anchor Strap
5	40733	Screw, #6 - 32 x 3/8" (2)