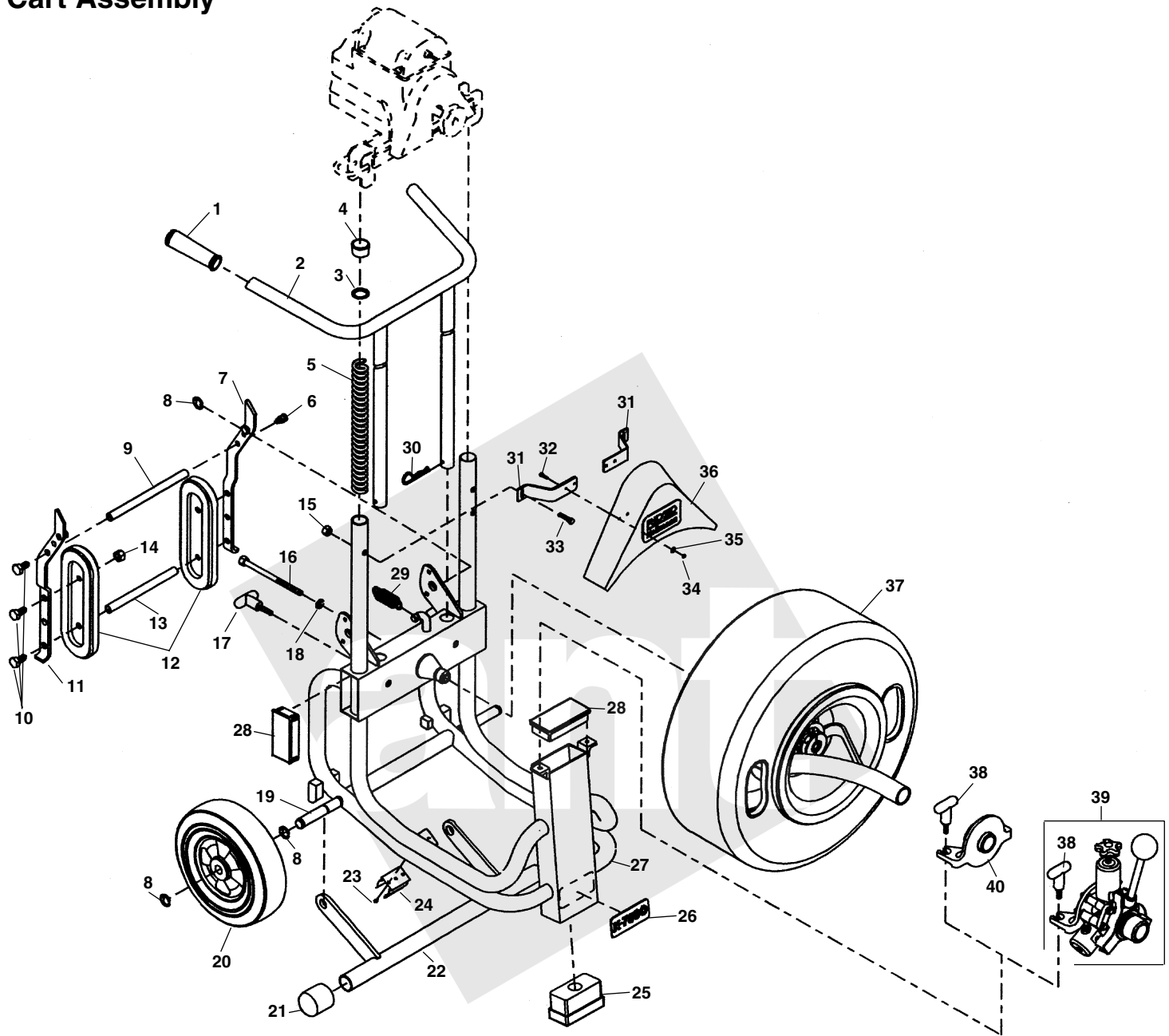


Cart Assembly



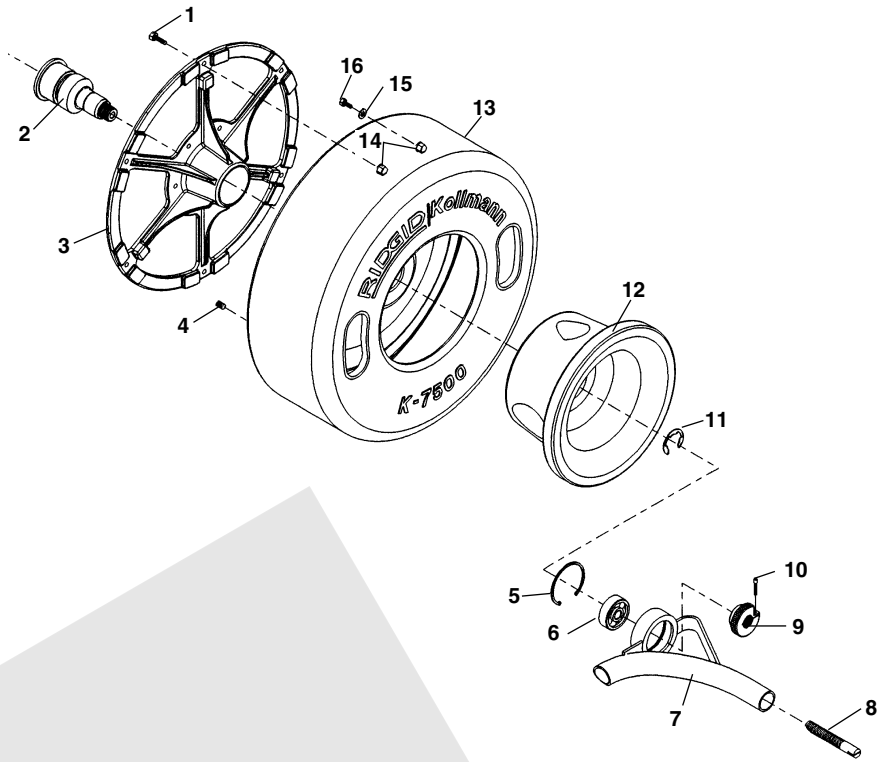
**NOTE: Order parts by Catalog Number only.
DO NOT order by Reference Number.**

Ref. No.	Catalog No.	Description	Ref. No.	Catalog No.	Description	Ref. No.	Catalog No.	Description
1	60827	Hand Grips (2)	15	69010	Nut 1/4" - 20 (2)	29	60667	Spring
2	60587	Handle	16	60617	Bolt 1/2" - 13 x 6"	30	60677	Cotter Hairpin (2)
3	61472	Washer	17	60622	Mounting Knob (2)	31	43967	Guard Bracket (2)
4	60422	Cap Plug (2)	18	43942	Lock Washer 1/2"	32	43962	Screws #10 - 24 x 3/4" (8)
5	43957	Compression Spring	19	60627	Axle	33	43972	Carriage Bolt (2)
6	59510	Plunger Pin	20	23602	Wheel (2)	34	87970	Hex Nut #10 - 24 (4)
7	60592	Right Pivot Arm	21	23607	End Cap (2)	35	61310	Lock Washer #10 (4)
8	60050	Retaining Ring (8)	22	60632	Stabilizer	36	44027	Belt Guard
9	60597	Tie-Spring Bar	23	60637	Self-Tap Screw #6 - 32 (2)	37	61107	Drum Assembly w/5/8" Pigtail
10	60020	Hex Bolt 1/2" - 13 x 1 1/4" (6)	24	60642	Spring Clip		60042	Drum Assembly w/3/4" Pigtail
11	60602	Left Pivot Arm	25	60647	Rest Pad	38	60672	Assembly Knob (2)
12	60607	Stairclimber (2)	26	60652	Model Plate	39	60032	AUTOFEED® Assembly
13	60612	Stairclimber Bar	27	60657	Frame	40	61227	Manual Feed Assembly
14	78005	Nut 1/2" - 13 (2)	28	60662	Cap Plug			

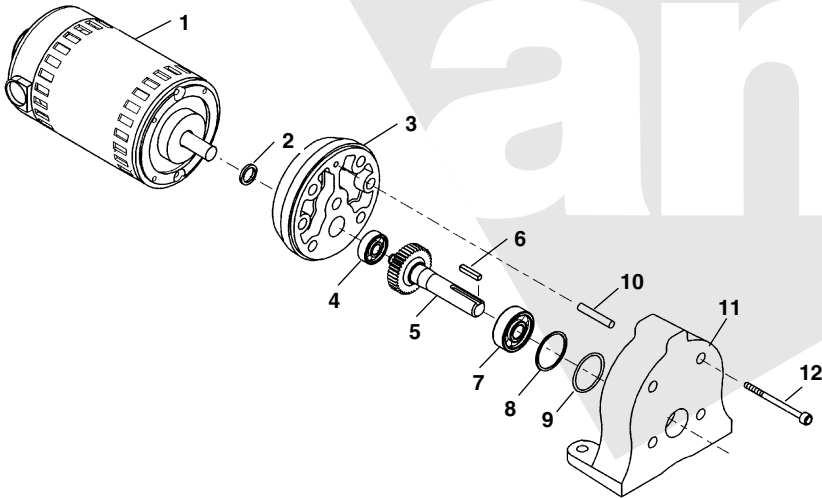
Drum Assembly

**NOTE: Order parts by Catalog Number only.
DO NOT order by Reference Number.**

Ref. No.	Catalog No.	Description
—	61107	Drum Assembly, w/5/8" Pigtail
—	60042	Drum Assembly w/3/4" Pigtail
1	44590	Bolt 5/16" - 18 x 1" (9)
2	60537	Drum Shaft
3	60547	Drum Support
4	60552	Drain Plug
5	60567	Retaining Ring
6	50802	Bearing
7	60557	Guide Tube
8	44117	3/4" Pigtail
	44122	5/8" Pigtail
9	60562	Knurled Knob
10	40910	Screw
11	64042	Retaining Ring
12	60572	Inner Drum
13	60577	Outer Drum
14	27517	Lock Nut 5/16" - 18
15	35055	Washer
16	60515	Bolt 5/16" - 18 x 1 1/4"

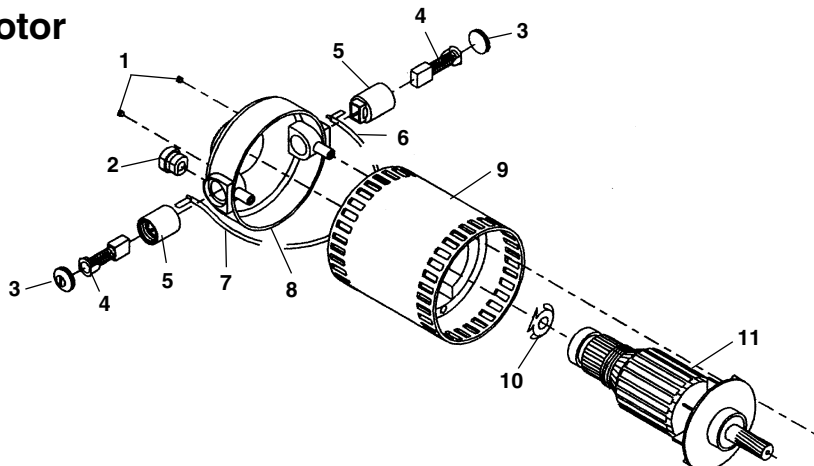


Motor/Gearbox Assembly



Ref. No.	Catalog No.	Description
—	72587	Motor/Gearbox Assembly - 115V
—	72582	Motor/Gearbox Assembly - 230V
1	75622	Motor Only - 115V
	75627	Motor - 230V
2	60442	Seal
3	60437	Rear Gear Housing
4	44760	Bearing
5	60432	Main Drive Shaft w/Key
6	60457	Key
7	44565	Bearing
8	60427	Wave Spring
9	61837	O-Ring
10	60452	Dowel Pin 3/16" x 1 5/8"
11	60397	Front Gear Housing
12	60402	Screw #10-32 x 2 3/4"

Motor

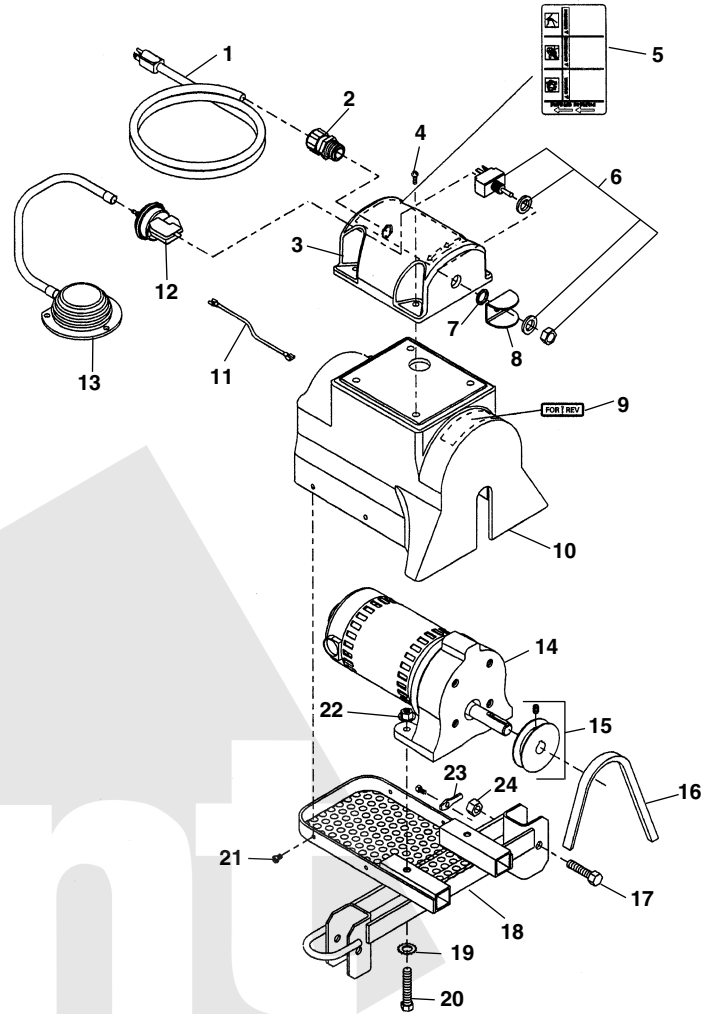


Ref. No.	Catalog No.	Description
—	75622	Motor - 115V
—	75627	Motor - 230V
1	60492	Brush Holder Screw
2	60497	Strain Relief
3	60467	Brush Cap Set
4	72482	Brush Set (115V)
	60472	Brush Set (230V)
5	60482	Brush Holder Set
6	60487	Black Brush Lead
7	60502	Red Brush Lead
8	60522	Rear Housing
9	60507	Field w/Housing (115V)
	72487	Field w/Housing (230V)
10	60512	Loading Spring
11	60517	Armature w/Bearing (115V)
	72492	Armature w/Bearing (230V)

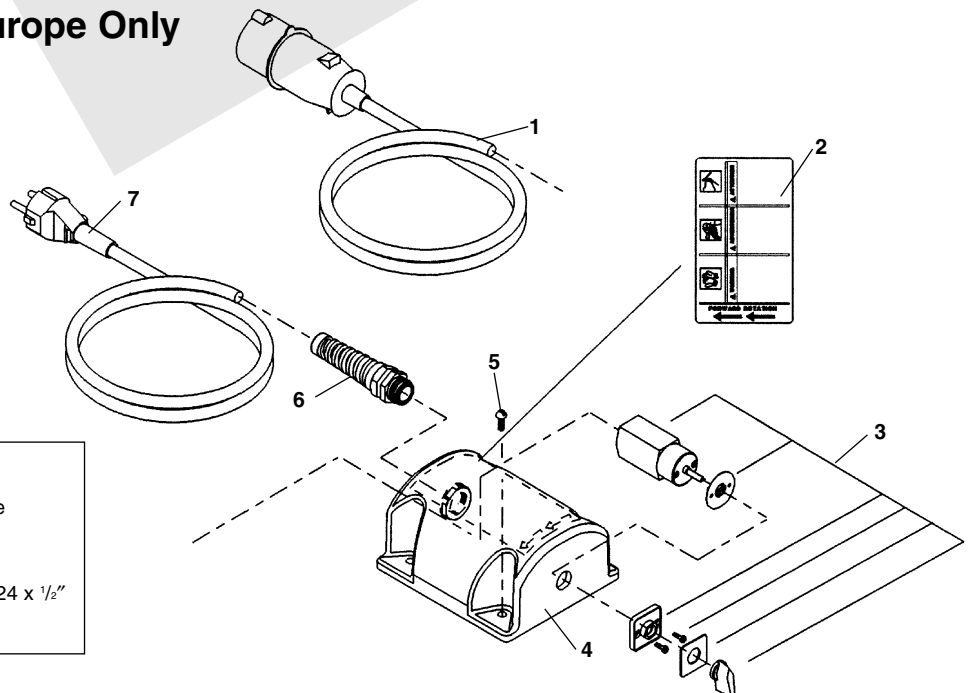
Motor Table

**NOTE: Order parts by Catalog Number only.
DO NOT order by Reference Number.**

Ref. No.	Catalog No.	Description
1	50507	Line Cord w/GFI
2	96265	Strain Relief
3	60387	Switch Cover
4	43962	Screw #10 - 24 x 3/4" (8)
5	60767	Safety Sticker
6	56252	Switch
7	23512	Rubber Washer
8	61490	Switch Guard
9	23687	FOR/REV Label
10	60392	Motor Cover
11	61477	Connecting Wire
12	32992	Air Switch
13	60462	Foot Switch Assembly
14	72587	115V Motor/Gearbox Assembly
14	72582	230V Motor/Gearbox Assembly
15	60407	Pulley
16	60412	V-Belt
17	43992	Screw 3/8" - 16 x 2"
18	60417	Motor Table
19	61445	Lock Washer 5/16"
20	43757	Screw 5/16" - 18 x 2 (2)
21	36787	Screw #10 - 24 (5)
22	27517	Lock Nut 5/16" - 18 (18)
23	62857	Bonding Braid
24	79985	Lock Nut 3/8"



Electrical Components Europe Only

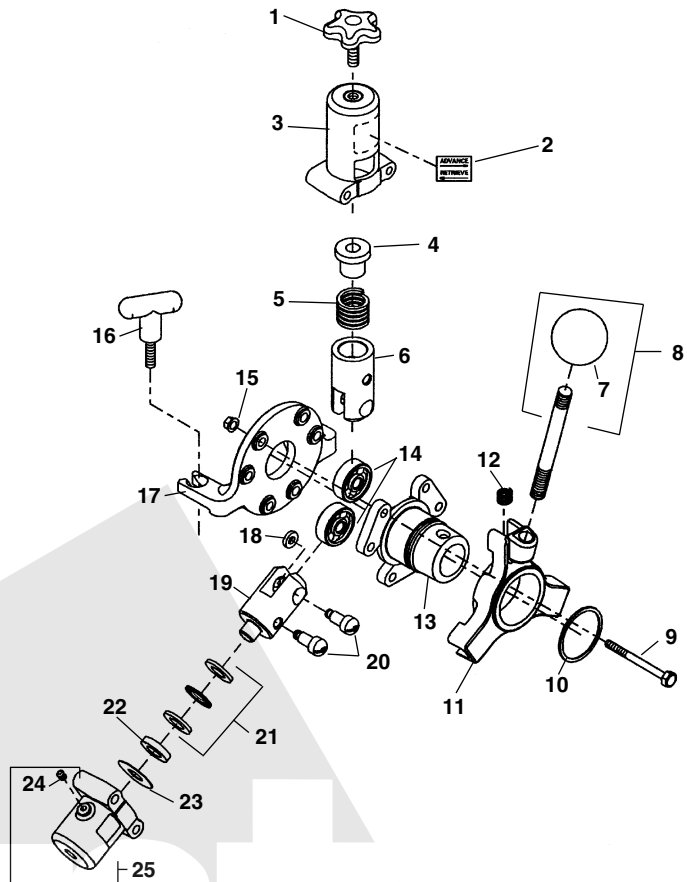


Ref. No.	Catalog No.	Description
1	45022	Line Cord 110V Europe
2	62837	Warning Label Europe
3	54157	Switch Rotary
4	62832	Switch Cap - Rotary
5	43962	Round Hd. Scr. #10 - 24 x 1/2"
6	54177	Strain Relief
7	39562	230V Line Cord

AUTOFEED® Assembly

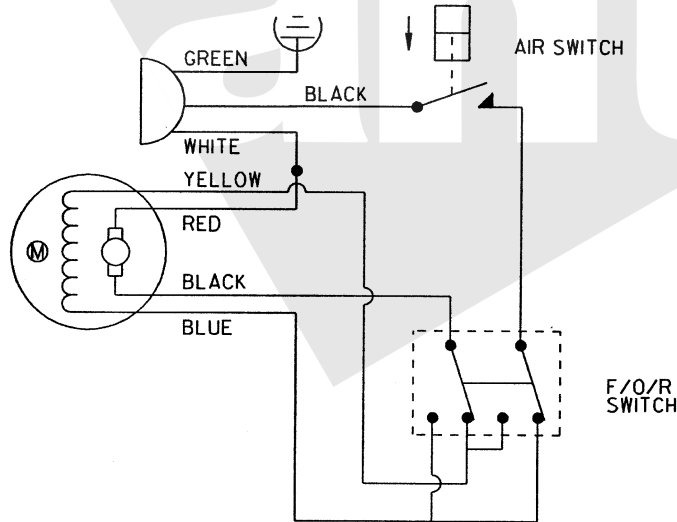
**NOTE: Order parts by Catalog Number only.
DO NOT order by Reference Number.**

Ref. No.	Catalog No.	Description
—	60032	AUTOFEED® Assembly
1	60682	Feed Knob
2	60762	Advance/Retrieve Label
3	60692	Top Roller Housing
4	93475	Ball Holder
5	93375	Spring
6	60707	Movable Roller Holder
7	59585	Knob
8	93630	Clutch Handle Assy. w/Knob
9	60737	Bolt 5/16" - 18 x 3", Hex Head (6)
10	44112	Retaining Ring
11	60742	Actuator
12	60697	Return Spring
13	60747	Front Support Plate
14	60752	Roller Bearing (3)
15	27517	Lock Nut 5/16" - 18 (6)
16	60672	Handle (2)
17	60712	Back Support Plate
18	60717	Bearing Spacer (3)
19	60722	Stationary Roller Housing (2)
20	60732	Actuator Pin (6)
21	68367	Thrust Bearing Assembly (2)
22	68372	Spacer 0.235" (2)
23†	68377	Spacer 0.06" (2)
24	89810	Grease Fitting (4)
25†	60727	Stationary Roller Housing (2)



† Service Note: Add the 0.06" spacers (Ref. No. 24) to the stationary roller holders (Ref. No. 25) to use the AUTOFEED® on 1/8" cable.

Wiring Diagram



European Wiring Diagram

